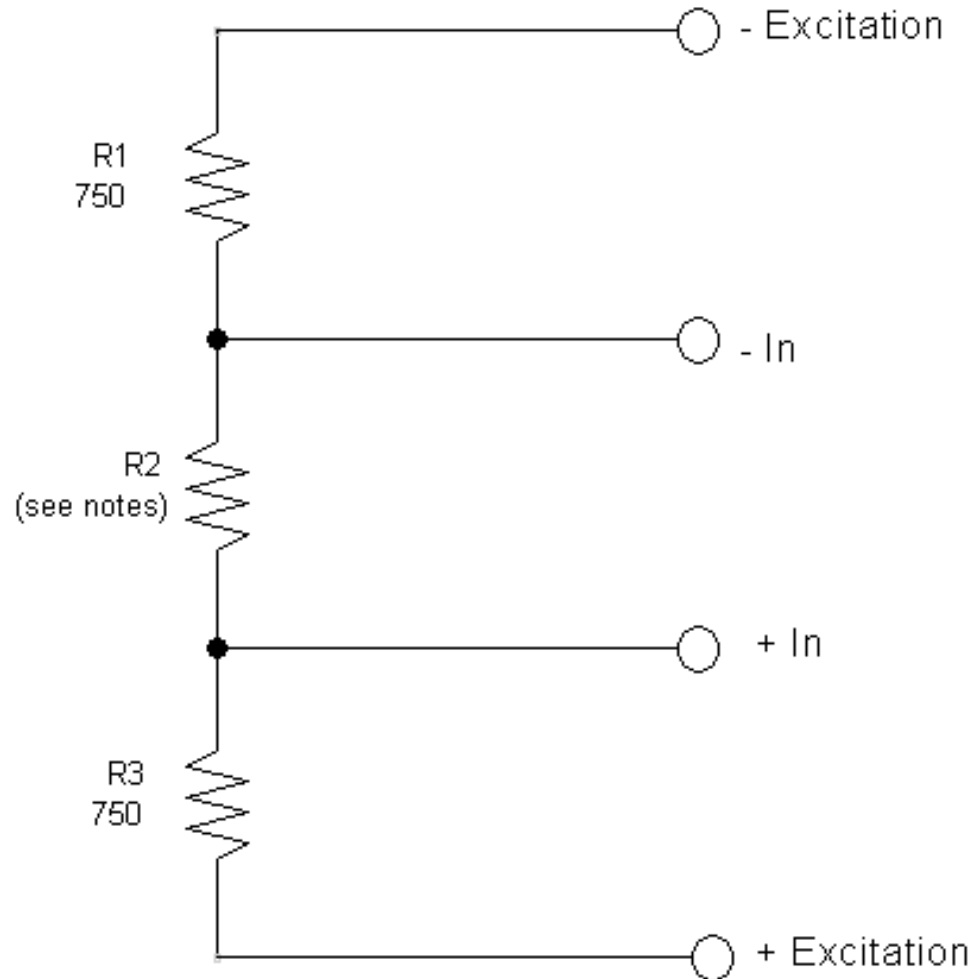


DI-8B38-xx Output Offset and Function Test



Notes:

1. R1 & R3 bias R2 midway across \pm Excitation
2. R2 = 0 Ohms for the output offset test
3. R2 = 1.5 Ohms produces about +10 mV at the input and results in about +2.5 V output
4. To test negative output range, reverse \pm Excitation