

DI-901MB/DI-902MB/DI-903MB

Multi-Channel Discrete I/O Modules

Active-Low Inputs
Sinking Outputs
(Low-Side Switching)



Models

DI-901MB: 12 input channels

DI-902MB: 12 output channels

DI-903MB: 12 input/output channels

Input

Twelve input channels (DI-901, DI-903 models only) 0 to 35V DC

Output

Twelve output channels (DI-902, DI-903 models only) 0 to 35V DC

Network Communication

Modbus-RTU high-speed RS-485

Power Requirement

10 to 36V DC, 24V AC

Approvals

CE marked, UL, cUL listed

Class I; Division 2; Groups A, B, C, D.

These modules provide twelve discrete input and/or output channels. Isolation separates the I/O, power, and network circuits. Network communication adheres to the industry-standard RS-485 Modbus RTU protocol. Both AC and DC power sources are supported with wide range, non polarized, diode-coupled terminals.

The open-drain outputs are intended for current sinking or low-side switching applications. The buffered inputs are active-low. These models are the complement of the DI-904, DI-905, and DI-906 units which have open-source, high-side output switches and active-high inputs. Socketed pull-up resistors are easily removed or exchanged to satisfy your application requirements.

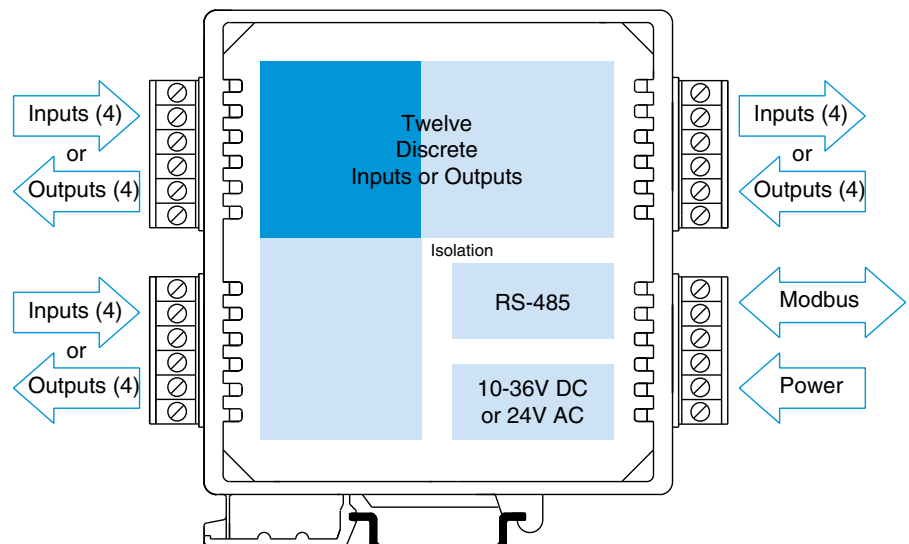
The DI-903MB model has twelve input/output points that may be used as inputs or outputs on a bit-by-bit basis. Outputs may be read back to verify output settings.

Combining flexible I/O types, wide I/O ranges, and a network interface in a single package, makes this instrument extremely powerful. Multi-channel design adds cost-efficiency and allows high-density mounting. Plus, safe, rugged construction makes these modules reliable for use in both control room and distributed field I/O applications. Custom module configurations are also possible (consult factory for details).

Features

- Standard Modbus RTU protocol with high-speed RS-485 communication (up to 115K bps).
- Twelve I/O channels in a single inch-wide unit reduces system costs and saves panel space.
- High-voltage, high-current, open-drain outputs enable direct (low-side) control of external devices.
- High-voltage buffered inputs monitor discrete levels from a variety of industrial devices.
- Tandem input/output circuitry (DI-903 models only) connects input buffers with open-drain outputs for convenient loop back monitoring of the output state.
- Outputs have built-in over-temperature and over-current shut-down protection, plus active clamping circuits for switching inductive loads.
- Watchdog timers provide a configurable fail-safe output state for use when host I/O communication is lost.
- Three-way isolation eliminates potential ground loops between power, I/O, and network circuitry.
- Self-diagnostics monitor micro controller activity to detect operational failures (lock-up) and execute a reset to restore communication.

High Density Discrete I/O Module



Performance

Discrete Inputs

(DI-901 & DI-903 models only)

Input Type

12 active-low, buffered inputs, with a common connection. Inputs include transient suppression devices and series connected 100K ohm resistors, plus diode over-voltage clamps to the internal +5V supply.

Input Signal Voltage Range

0 to 35V DC, maximum.

Input Current

293µA, typical at 35V DC.

Input Signal Threshold

TTL compatible with 100mV of hysteresis, typical. Low-to-High threshold is 1.7VDC, High-to-Low is 1.6VDC, typical. Limited to TTL levels of 0.8VDC (max. LOW level) and 2.0VDC (min. HIGH level).

Input Resistance

100K ohms, typical.

Input Hysteresis

100mV DC, typical.

Discrete Outputs

(DI-902 & DI-903 models only)

Output Type

12 independent, open-drain, DMOS MOSFET switches with a common source connection that operate as low-side switches.

Output Voltage Range

0 to 35V DC max. (0 to 500mA/channel continuous). External voltage source required.

Output ON Resistance

0.28 ohms maximum.

Output Response Time

Force Single Coil: Output updates within 250µs of receipt of a command. Force Multiple Coils: First coil updates in 250µs, followed successively by additional coils every 180µs.

General

I/O Pull-ups and Socket

5.6K ohm pull-up resistor SIPs are installed in sockets at each port (four-channels per port).

Excitation (per port)

External excitation voltage for each four-channel port is limited to 35V or less.

Supported Modbus Commands

The command/response protocol for communicating with this module adheres to the Modbus/RTU standard for the following Modbus Functions.

- Read Coil (Output) Status
- Read Input Status
- Read Holding Registers
- Force Single Coil (Output)
- Preset Single Register
- Reset Slave
- Force Multiple Coils (Outputs)
- Preset Multiple Registers
- Report Slave ID

LED Indicators

LEDs indicate power, status, and discrete level.

Power Requirements

10 to 36V DC, 22 to 26V AC.

Supply Current

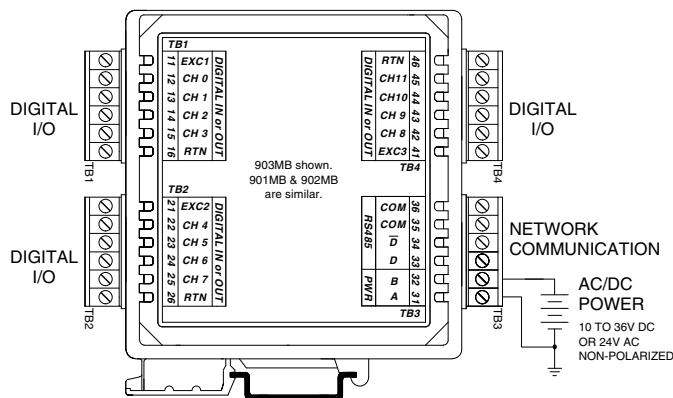
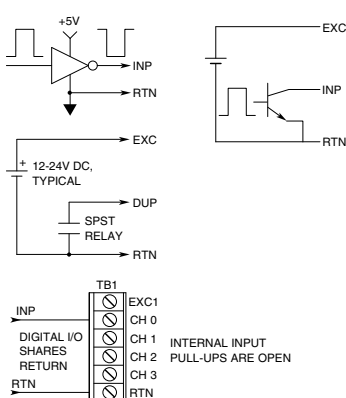
Supply	Current Draw
10V DC	80mA maximum
24V DC	40mA maximum
24V AC	70mA rms maximum

Isolation

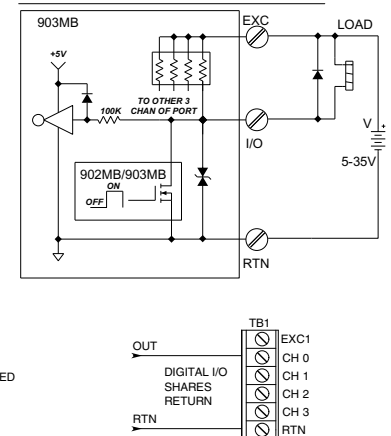
1500V AC for 60 seconds or 250V AC continuous. 3-way isolation between I/O, network, and power circuits.

DIGITAL INPUT CONNECTIONS (ACTIVE LOW)

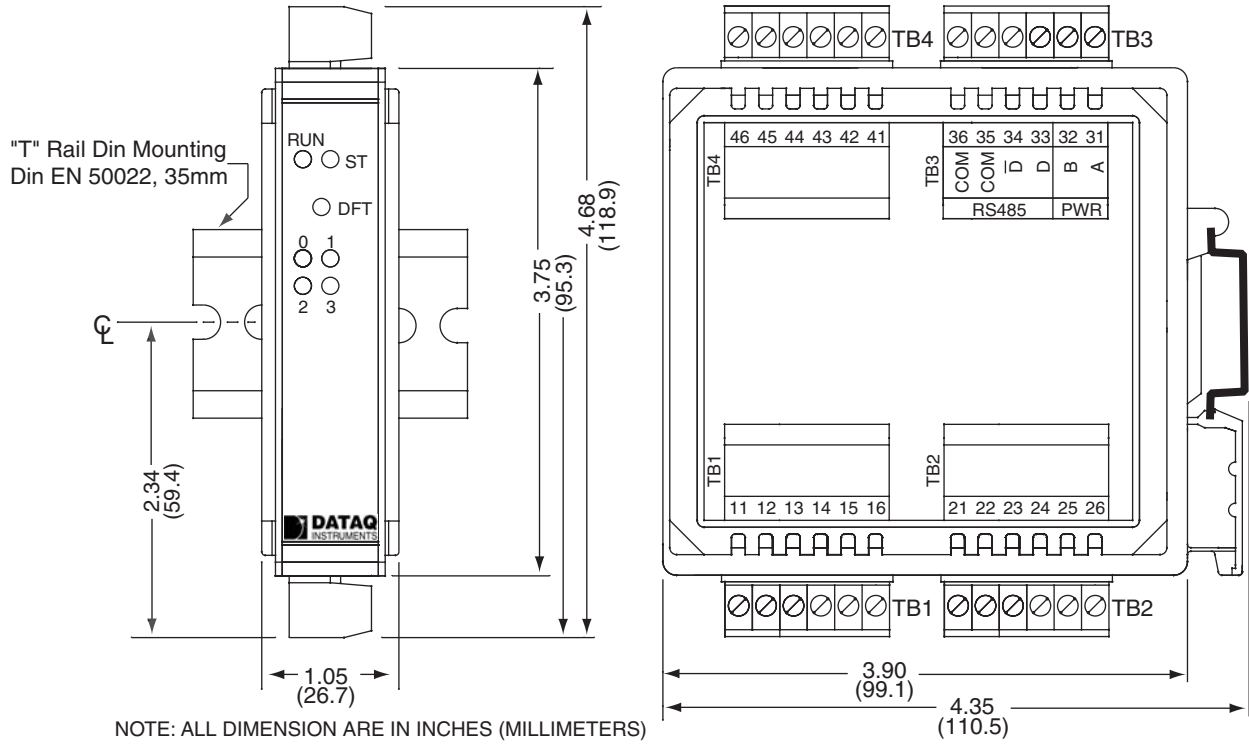
5V TTL LOGIC - INPUT CAN BE PULLED UP INTERNALLY OR EXTERNALLY



DIGITAL OUTPUT CONNECTIONS

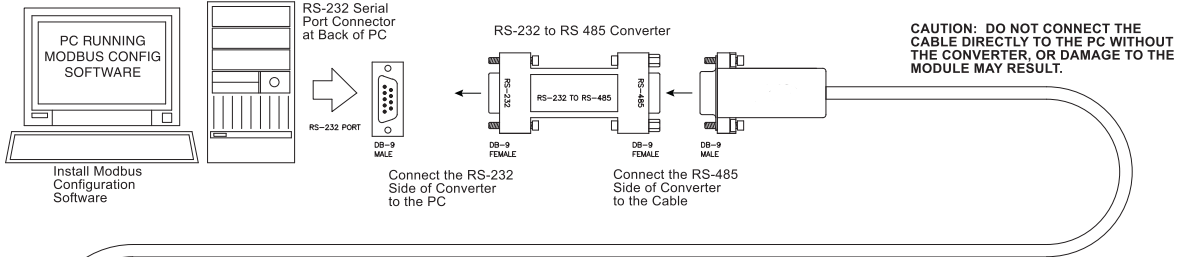


900MB Technical Diagram

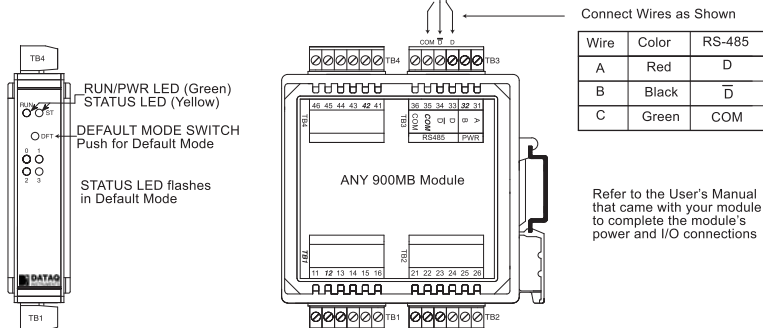


Communication Connections

Personal Computer with
Windows 95, 98, ME, NT, 2000, XP



100969 COMMUNICATION CONNECTIONS

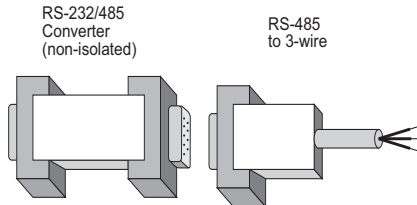
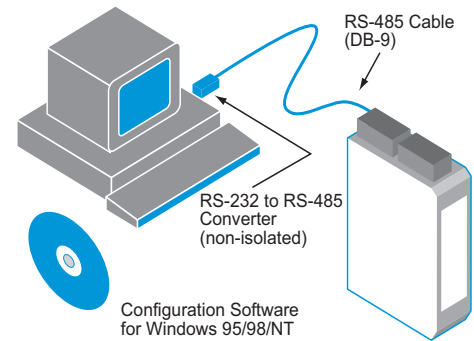


Software Interface Package

DATAQ Instruments, Inc., provides a full set of tools to help you get your modules set up and ready to run in an easy-to-order package that includes the Windows Configuration Software, an RS-232 to RS-485 Serial Port Converter, and an RS-485 Signal Cable.

The Software Interface Package Includes the following:

- Configuration Software for Windows (95, 98, ME, NT, 2000, XP) on CD-ROM.
- Non-isolated RS-232 to RS-485 Serial Port Converter, DB-9S to DB-9F.
- RS-485 to 3-wire Cable Converter, DB-9M to 3 x 12 AWG RS-485 Cable, 8 ft.



RS-232 to RS-485 Serial Port Converter

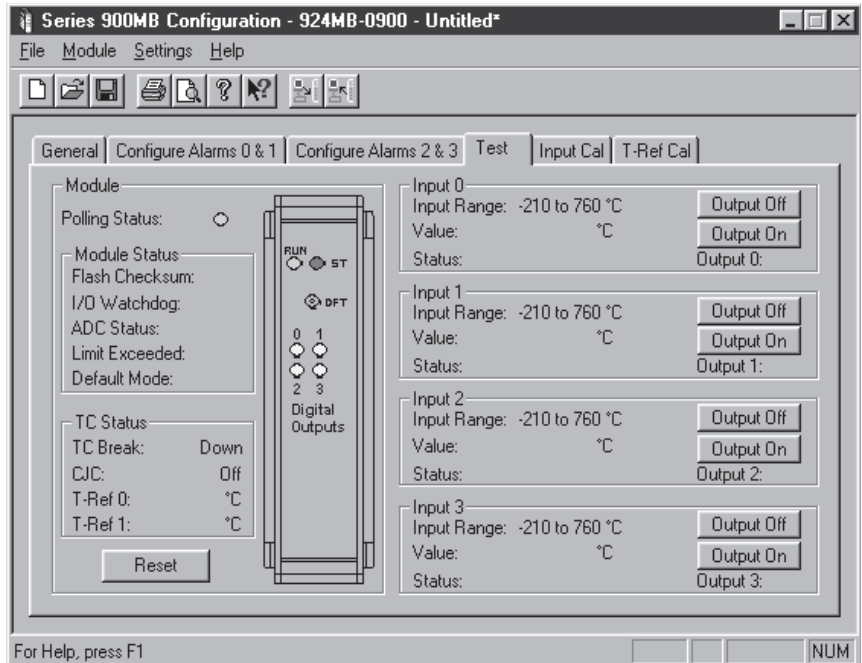
This Serial Port Converter is a non-isolated, port-powered, RS232-to-RS485 signal converter. Although the converter receives its power from the RS232 data and handshake lines, no handshaking lines are required to control the converter's RS485 driver. It plugs directly into the DB-9 male RS232 serial port connector on the back of most personal computers via the cable provided in the interface package.

Windows Configuration Software

The Windows Configuration Software provides an easy way to configure your module to whatever your application may be. The configuration software provides the following capabilities:

- Change Host and Slave communication settings (Baud Rate, COM Port, address, et al.
- Monitor the discrete I/O signal states and watchdog status allowing discrete outputs to be turned on/off.
- Allows a configuration to be uploaded or downloaded to/from the module via the RS 485 interface.
- Provides controls to reset the module.
- Reads the contents of the Module Status Register.
- Allows optional user documentation to be saved with a module file.
- Allows a module's complete configuration to be printed in an easy-to-read, single-page format, including user documentation.

Test page (right) simplifies diagnostics with a live visual display of the module's input and output values.



Software Support

DI-900MB series products are designed for Modbus RTU compatibility. Modbus is a communication protocol developed by MODICON, Inc. in 1979. In the years since its release, Modbus has evolved into a truly open standard and has become the most widely used networking communication protocol in the industrial automation field. Virtually all SCADA and HMI application software packages can easily fold DI-900MB devices into any new or existing data acquisition and control environment. DI-900MB products support the RTU (Remote Terminal Unit) Modbus extension, which is a binary protocol providing enhanced performance. The following is a brief list of Human Machine Interface (HMI) software vendors who support the Modbus RTU protocol, and therefore support DI-900MB Series products. The space available does not allow an exhaustive list.

Citect

USA Tel # (704)-329-3838
Web: <http://www.citect.com/>
Modbus-RTU I/O support: DLL Driver - use Modicon PLC 484 Series; OPC Server supplied by others

Intellution/GE Fanuc

USA Tel. (508) 698-3322
Web: <http://www.intellution.com/>
Modbus-RTU I/O support:
OPC Server – supplied by Intellution

Wonderware

USA Tel. 949-727-3200
Web: <http://www.wonderware.com/>
Modbus-RTU I/O support: Driver – Fast DDE; OPC Server – supplied by others

Iconics

USA Tel. (508) 543-8600
Web: <http://www.iconics.com/>
Modbus-RTU I/O support: Driver – supplied by Iconics; OPC Server – supplied by others

OPC Servers Vendors

KEPware, Inc.

USA Tel. 207-864-5881
Web: <http://www.kepware.com/>

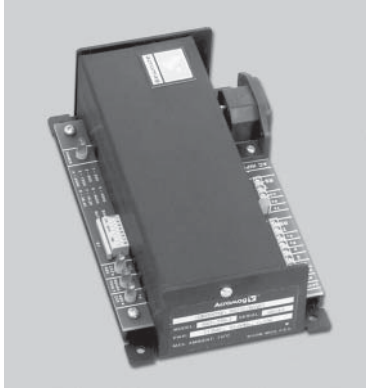
Digital Systems, Inc.

USA Tel. 704-895-7713
Web: <http://www.caro.net/dsi/>

Automated Solutions, Inc.

USA Tel. 707-575-9631
Web: <http://www.automatedsolutions.com/>

Isolated Signal Converter



This unit provides an isolated interface between the host PC's RS-232 port and RS-485 Modbus network devices. Signal conversion is bidirectional with operation that is transparent to all devices. The RS-485 network supports up to 32 devices (including the converter) across 4000 foot distances. Installation of additional network devices or extending the distance requires an Isolated Network Repeater (Model Numbers 100977 or 100978). Power cord included. Signal Cable (Model 100976) connects the PC's RS-232 Port to the Isolated Signal Converter.

Specifications

Baud Rates

Switch-selectable from 300 to 38.4K baud.

Duplex

Half duplex only.

Network Termination Resistors

Two terminal blocks and 120 ohm resistors provided to terminate both ends of the RS-485 network.

Wiring Connectors

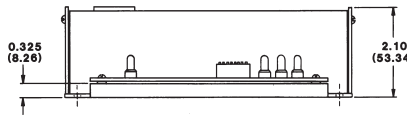
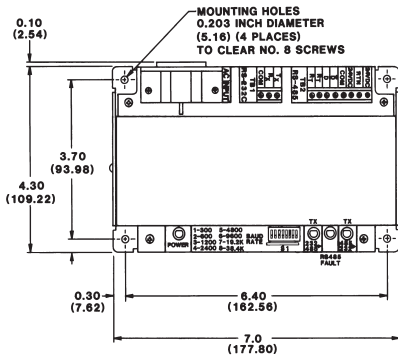
Terminal blocks with screw clamps for 14-26AWG

Operating Temperature Range

-25 to 60°C (-13 to 140°F)

Isolation

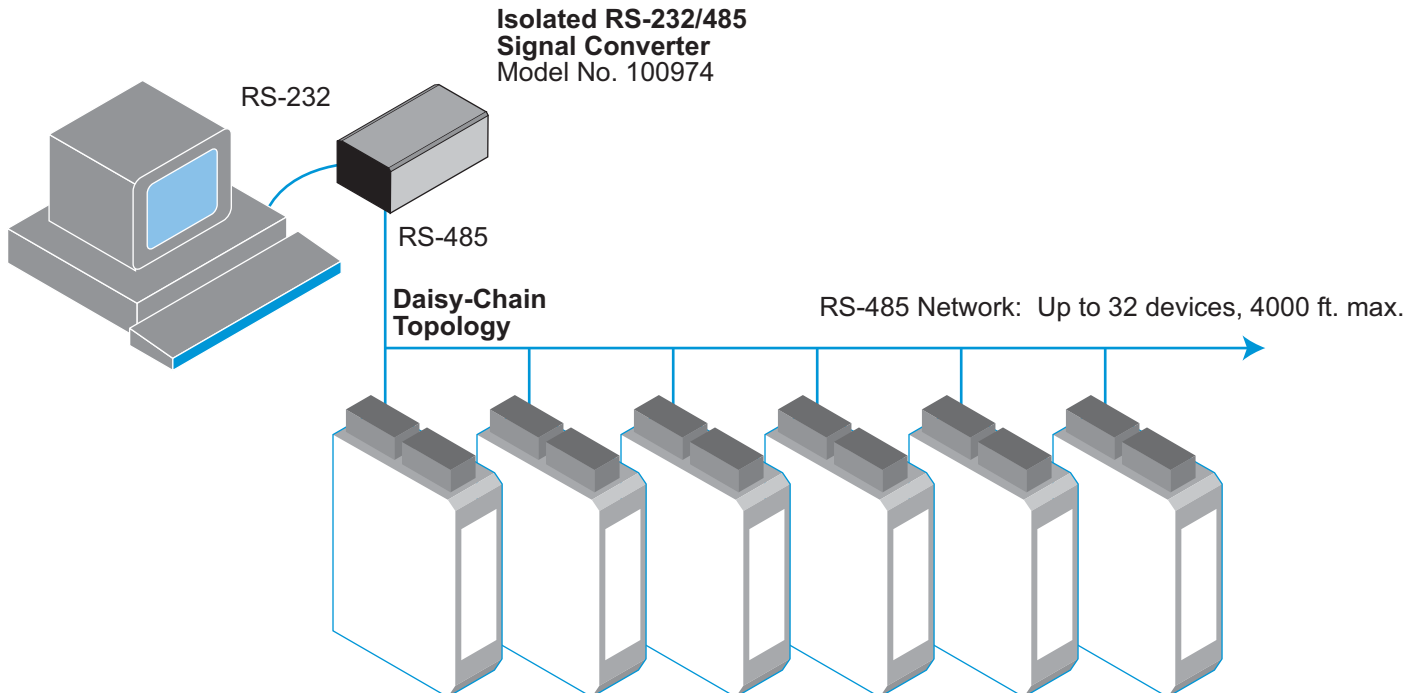
Withstands 1500V AC surge for 60 seconds (250V AC or 354V DC continuous).



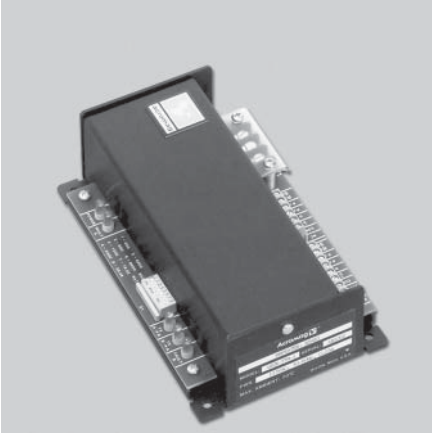
Model Numbers

100974 (115V AC Power) (discontinued)
 100975 (230V AC Power) (discontinued)
 100976 (8ft. long DB-9 to 3-wire RS-232 Cable)

System Connection



Isolated Network Repeater



This unit isolates and boosts RS-485 signals to extend communication distances or increase the number of devices on the network. Each Repeater permits the addition of a network branch with up to 32 devices (including the Network Repeater) and will transmit RS-485 signals another 4000 feet. Operation is transparent to all devices and no handshaking is required. Two terminal blocks are provided for 120 ohm resistors to terminate both ends of the network branch.

Specifications

Baud Rates

Switch-selectable from 300 to 38.4K baud.

Duplex

Half duplex only.

Network Termination Resistors

Two terminal blocks and 120 ohm resistors provided to terminate both ends of the RS-485 network.

RS-485 Wiring Connectors

Terminal blocks with screw clamps for 14-26AWG.

Power Wiring Connections

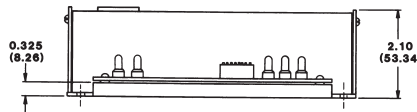
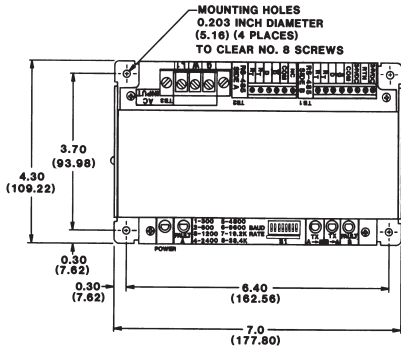
Terminal block with screw clamps for 12-18AWG.

Operating Temperature Range

-25 to 60°C (-13 to 140°F).

Isolation

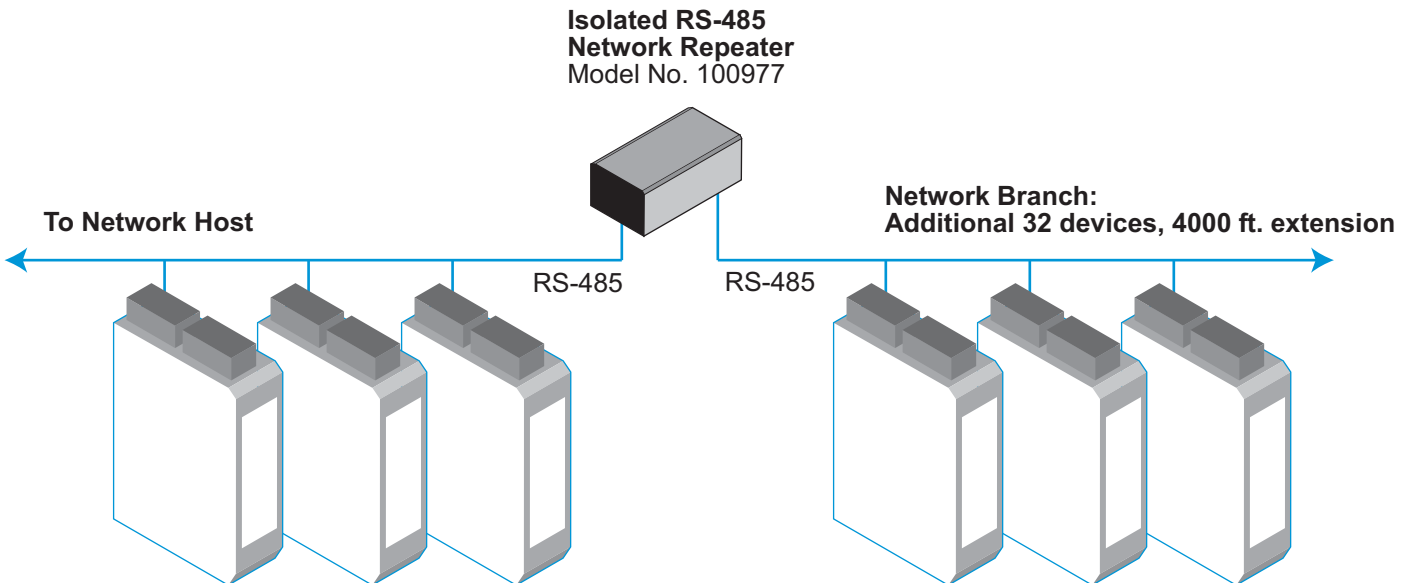
Withstands 1500V AC surge for 60 seconds (250V AC or 354V DC continuous).



Model Numbers

- 100977 (115V AC Power)
- 100978 (230V AC Power)
- 100979 (115V AC Power Cord)

Extending the Network



Universal 50W Power Supply

This Universal 50W Power Supply is the ideal power source to drive your network.

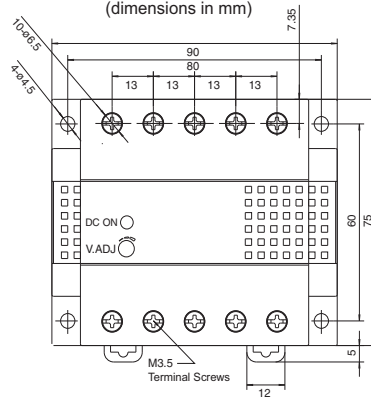


Input Power Requirement
 Universal power
 85 to 264V AC,
 105 to 370V DC

Output
 24V DC, 2.1A (50W)

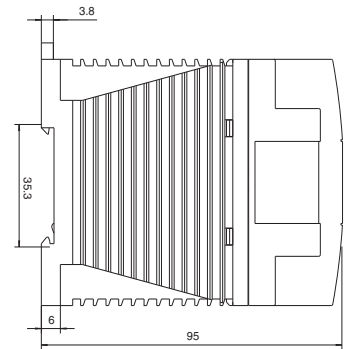
Top View

(dimensions in mm)



Side View

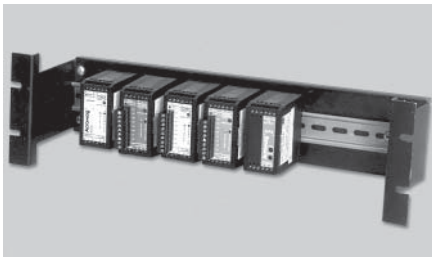
(dimensions in mm)



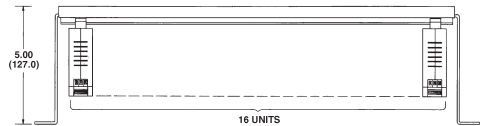
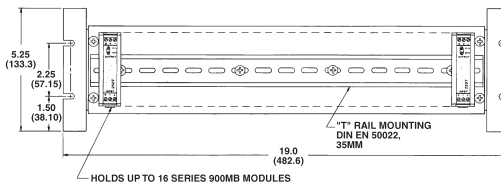
Model Number

100980

DIN-Rail Mounting



For your convenience, DATAQ Instruments, Inc., offers a rack mount kit to simplify your system installation. This 19-inch kit provides a clean solution for mounting your I/O modules and a power supply. Holds up to 16 DI-900MB modules.



Model Number

100971

USB to RS-232 Adapter



Convert signals from RS-232 to USB with this convenient adapter. For use with all DI-900MB Series modules.

Dimensions

Length: 3.15 in (8.0 cm)
 Height: 0.80 in (2.03 cm)
 Width: 1.75 in (4.44 cm)
 Weight: 1.6 oz (45.36 g)

Model Number

100970

General Module Specifications

Communication Interface

Network Communication

Modbus-RTU protocol, RS485 (3-Wire). Standard Protocol implementation as defined under "Modicon Modbus Reference Guide" PI-MBUS-300 Rev. J. Reference: <http://public.modicon.com>. Search on: PI-MBUS-300 for technical publication.

Baud Rate

2400, 4800, 9600, 14.4k, 19.2k, 28.8k, 38.4k, 57.6k, 76.8k, or 115.2k baud. Default 9600 baud.

Module Addressing

0 to 247, selectable. Default address 247.

Network Distance

4000 feet without network repeater.

Nodes

Supports up to 32 modules without the use of a network repeater.

Parity

Odd, even, or none. Default setting none.

Stop Bits

One with parity, one or two with no parity. Default setting is two stop bits with no parity.

Watchdog Timer (Hardware)

A hardware watchdog timer is built into each module to perform a reset if the micro controller fails to return from an operation in a timely manner or "locks up."

Watchdog Timer (Network Communication)

All modules have a communication watchdog timer function. The watchdog timer is configurable for timeout periods of up to 18 hours. This timer function monitors I/O communications with the host controller. In the event of lost communications, output ports optionally reset to a user-defined state or level. The watchdog timer restarts with a read/write to an I/O channel.

Environmental

Ambient Temperature

Operation: -25°C to +70°C (-13°F to +158°F).

Storage: -40°C to +85°C (-40°F to +185°F).

Relative Humidity

5 to 95% non-condensing.

Radiated Field Interference Immunity (RFI)

Complies with EN61000-4-3 Level 2 and EN50082-1 (3V/M, 80 to 1000MHz AM and 900MHz keyed).

Electrical Fast Transient Immunity (EFT)

EN61000-4-4 Level 1 and EN50082-1 (0.5KV power, signal lines).

Electrostatic Discharge (ESD) Immunity

EN61000-4-2 Level 3 and EN50082-1 (8KV/4KV air/direct discharge).

Surge Immunity

EN61000-4-5 (0.5KV) and EN50082-1.

Radiated Emissions

Meets EN50081-1 for Class B equipment.

Approvals

CE marked. UL listed for US and Canada. Class I; Division 2; Groups A, B, C, D.

Enclosure/Physical

Enclosure

Self-extinguishing NYLON type 6.6 polyamide thermoplastic UL94 V-2, color beige; general purpose NEMA Type 1 enclosure.

Connectors (Removable Terminal Blocks)

Wire Range: AWG #12-24, stranded or solid copper.

Dimensions

1.05W x 4.68H x 4.35D inches
26.7W x 118.9H x 110.5D mm.

DIN Rail Mounting

DIN rail mount, Type EN50022; "T" rail (35mm).

Shipping Weight

1 pound (0.45 Kg) packed.

Ordering Information

Description	Order Number
12-channel discrete active-low input module	DI-901MB
12-channel discrete active-low output module	DI-902MB
12-channel discrete active-low input/output module	DI-903MB
DI-900MB Configuration Kit (includes Configuration Software, RS-232/485 non-isolated converter, and RS-485 to 3-wire cable, 8ft.)	100969
RS-232 to USB Adaptor	100970
19" rack mount kit with DIN rail	100971
RS-232 cable for 100974 and 100975 products (DB-9 to three-wire)	100976
Isolated Network Repeater, 115 VAC Power	100977
Isolated Network Repeater, 230 VAC Power	100978
115V AC Power Cord for 100977 and 100978 products	100979
50W universal power supply; 24V DC @ 2.1A (50W) output; 85-264V AC or 105-370V DC input	100980

Data Acquisition Product Links

(click on text to jump to page)

[Data Acquisition](#) | [Data Logger](#) | [Chart Recorder](#) | [Thermocouple](#) | [Oscilloscope](#)