

# Female Port Pressure Sensor (PFP350)



**100 to 10,000 PSI (6.9 to 689.5 Bar) capacity**

**Rugged Stainless Steel Construction**

**1/2-20, 7/16-20, or 1/4-18 NPT Threads**

**For use with DI-5B38-05 or DI-8B38-05 amplifiers**



DATAQ Instruments has partnered with sensor manufacturer Futek to offer a variety of load cells at factory-direct prices. These load cells have been specifically chosen for compatibility with our popular line of data loggers and data acquisition systems that support 5B and 8B amplifier modules. We've done the legwork to ensure compatibility, and a complete load cell-to-instrument solution.

The PFP350 Pressure Plug Sensor with cable or LEMO receptacle is a general purpose female port Pressure Sensor solution for a variety of applications.

## Features

### Rugged Construction

All models are constructed of 17-4PH Stainless Steel.

### Thread Options

The PFP350 is available with either a 1/2-20, 7/16-20, or 1/4-18 NPT thread.

### Compatibility

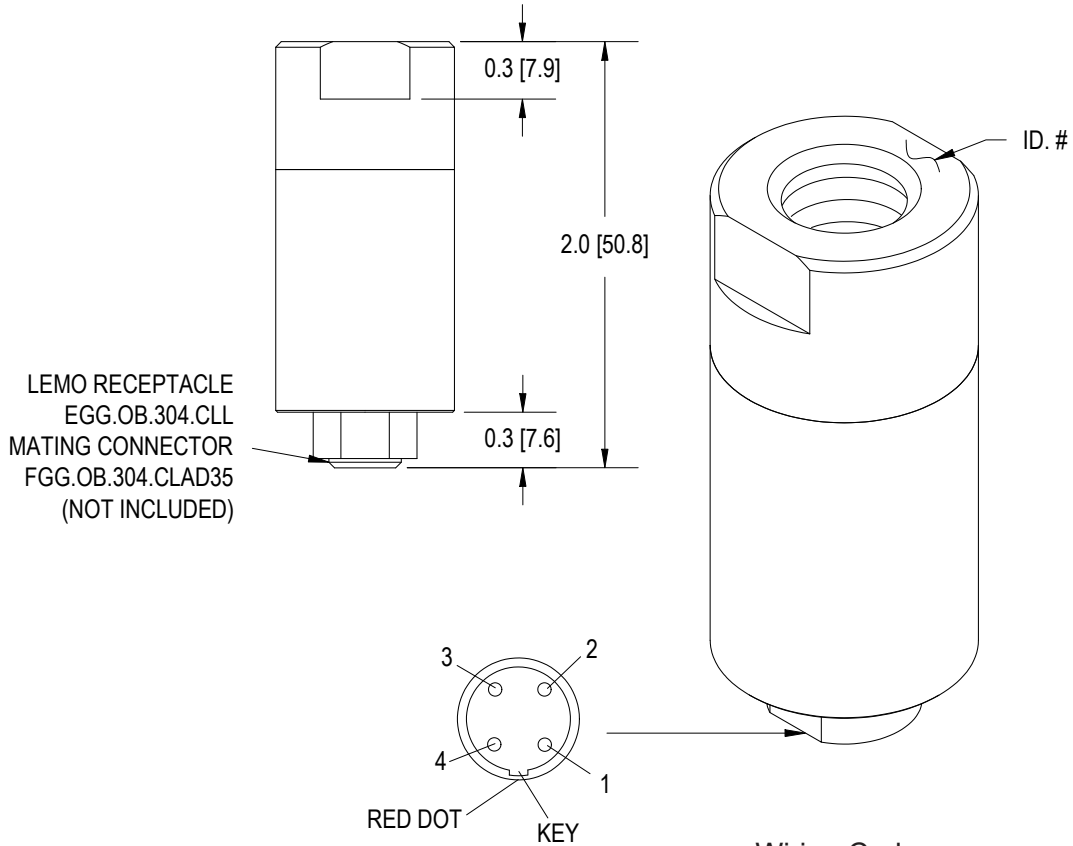
The PFP350 is compatible with strain gage input modules DI-5B38-05 and DI-8B38-05. Install the signal conditioning module into one of our data acquisition/data logger systems for a complete measurement solution. Use the DI-8B38-02 or the DI-5B38-02 for limited dynamic range applications.

## A Complete Measurement Solution

Install the Signal Conditioning Module (DI-8B or DI-5B module) into your compatible data acquisition/data logger system. Both excitation and calibrated gain is provided for the sensor.

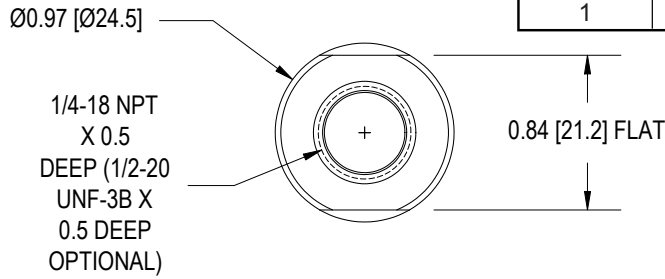
Signal Conditioning Module	Data Logger / Data Acquisition System	Sensor
DI-5B38-05 or DI-5B38-02	DI-75B	PFP350
	DI-715B	
	DI-785	
	DI-195B	
DI-8B38-05 or DI-8B38-02	DI-78B	
	DI-718B	
	DI-718Bx	
	DI-788	

# Dimensional Drawings and Wiring Code



**Wiring Code**

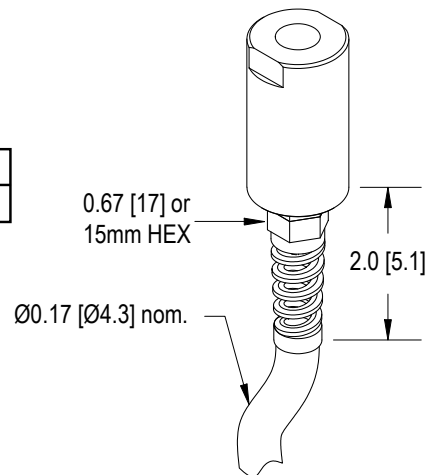
+Excitation	-Excitation	+Signal	-Signal
1	4	2	3



**#28AWG, 6 Conductor Polyurethane Cable Option  
(3ft long)**

**Wiring Code**

+Excitation	-Excitation	+Signal	-Signal
RED	BLACK	GREEN	WHITE



## Specifications

<b>Rated Output:</b>	2mV/V nom.	<b>Calibration (included):</b>	2pt (5pt available); 60.4K $\Omega$ shunt cal value
<b>Safe Overload:</b>	150% of R.O.	<b>Temperature Shift Zero:</b>	$\pm 0.02\%$ of R.O./ $^{\circ}$ F ( $\pm 0.036\%$ of R.O./ $^{\circ}$ C)
<b>Zero Balance:</b>	$\pm 1\%$ of R.O.	<b>Temperature Shift Span:</b>	$\pm 0.02\%$ of Load/ $^{\circ}$ F ( $\pm 0.036\%$ of Load/ $^{\circ}$ C)
<b>Excitation (VDC or VAC):</b>	18 Max	<b>Compensated Temperature:</b>	60 $^{\circ}$ F to 160 $^{\circ}$ F (15 $^{\circ}$ C to 72 $^{\circ}$ C)
<b>Bridge Resistance:</b>	350 $\Omega$ nom.	<b>Operating Temperature:</b>	-60 $^{\circ}$ F to 250 $^{\circ}$ F (-50 $^{\circ}$ C to 121 $^{\circ}$ C)
<b>Nonlinearity:</b>	$\pm 0.5\%$ of R.O.	<b>Weight:</b>	4.5 oz (128 g)
<b>Hysteresis:</b>	$\pm 0.5\%$ of R.O.	<b>Connector:</b>	4-pin LEMO receptacle or 3 foot cable
<b>Nonrepeatability:</b>	$\pm 0.1\%$ of R.O.	<b>Compatible Signal Conditioning Modules:</b>	DI-5B38-05 or DI-5B38-02
<b>Calibration test excitation:</b>	10 VDC		DI-8B38-05 or DI-8B38-02

## Ordering Guide

Max Pressure PSI (Bar)	Electrical Connection	Thread	Order Number	Max Pressure PSI (Bar)	Electrical Connection	Thread	Order Number	
300 (20.7)	LEMO	7/16-20	FSH00805	3000 (206.8)	3 foot cable	1/2-20	FSH00810	
	3 foot cable		FSH03367		LEMO		FSH00811	
	LEMO		FSH03368		3 foot cable	1/4-18	FSH00826	
	3 foot cable	FSH00820	LEMO		FSH00827			
	LEMO	FSH00821	3 foot cable		1/2-20		FSH00812	
500 (34.5)	3 foot cable	1/2-20	FSH00806	5000 (344.7)		LEMO	1/4-18	FSH00813
	LEMO		FSH00807		3 foot cable	FSH00828		
	3 foot cable	7/16-20	FSH03369		LEMO	FSH00829		
	LEMO		FSH03370		3 foot cable	1/2-20	FSH00814	
	3 foot cable		1/4-18		FSH00822		LEMO	FSH00815
	LEMO				FSH00823	3 foot cable	1/4-18	FSH00830
1000 (68.9)	3 foot cable	1/2-20	FSH00808	7500 (517.1)	LEMO	1/4-18		FSH00831
	LEMO		FSH00809		LEMO		FSH00817	
	3 foot cable	7/16-20	FSH03371		10000 (689.5)	3 foot cable	1/4-18	FSH00832
	LEMO		FSH03372			LEMO		FSH00833
	3 foot cable		1/4-18			FSH00824		
	LEMO					FSH00825		

## Accessories

Description	Order Number	Description	Order Number
15 foot cable with LEMO connector	FSH01790	4-pin LEMO connector	GOD00047
30 foot cable with LEMO connector	FSH01785	NIST Calibration Certificates	Contact DATAQ
100 foot cable with LEMO connector	FSH02114		



DATAQ Instruments, Inc.  
 241 Springside Drive  
 Akron, Ohio 44333  
 Phone: 330-668-1444  
 Fax: 330-666-5434

### Data Acquisition Product Links

(click on text to jump to page)

[Data Acquisition](#) | [Data Logger](#) | [Chart Recorder](#) | [Thermocouple](#) | [Oscilloscope](#)