



The way PC-based instrumentation should be

DI-720 Series

Software-Configurable Parallel Port Recording Instruments

DI-722 Series

Extended Measurement Range Data Acquisition Instruments

DI-730 Series

Software-Configurable, High Voltage Parallel Port Recording Instruments

DI-740 Series

Transducer-Based Recording Instruments

DI-75B

5B Module Channel Expander

DI-5001

OEM Printer Port Data Acquisition Board

User's Manual

Manual Revision U

Software Release Level 1

Copyright © 2006 by DATAQ Instruments, Inc. The Information contained herein is the exclusive property of DATAQ Instruments, Inc., except as otherwise indicated and shall not be reproduced, transmitted, transcribed, stored in a retrieval system, or translated into any human or computer language, in any form or by any means, electronic, mechanical, magnetic, optical, chemical, manual, or otherwise without expressed written authorization from the company. The distribution of this material outside the company may occur only as authorized by the company in writing.

DATAQ Instruments' hardware and software products are not designed to be used in the diagnosis and treatment of humans, nor are they to be used as critical components in any life-support systems whose failure to perform can reasonably be expected to cause significant injury to humans.

DATAQ, the DATAQ logo, and WINDAQ are registered trademarks of DATAQ Instruments, Inc. All rights reserved.



241 Springside Dr.

Akron, Ohio 44333 U.S.A.

Telephone: 330-668-1444

Fax: 330-666-5434

Designed and manufactured in the
United States of America

Warranty and Service Policy

Product Warranty

DATAQ Instruments, Inc. warrants that this hardware will be free from defects in materials and workmanship under normal use and service for a period of one year from the date of shipment. DATAQ Instruments' obligations under this warranty shall not arise until the defective material is shipped freight prepaid to DATAQ Instruments. The only responsibility of DATAQ Instruments under this warranty is to repair or replace, at its discretion and on a free of charge basis, the defective material.

This warranty does not extend to products that have been repaired or altered by persons other than DATAQ Instruments employees, or products that have been subjected to misuse, neglect, improper installation, or accident.

DATAQ Instruments shall have no liability for incidental or consequential damages of any kind arising out of the sale, installation, or use of its products.

Service Policy

1. All products returned to DATAQ Instruments for service, regardless of warranty status, must be on a freight-prepaid basis.
2. DATAQ Instruments will repair or replace any defective product within 5 days of its receipt.
3. For in-warranty repairs, DATAQ Instruments will return repaired items to the buyer freight prepaid. Out of warranty repairs will be returned with freight prepaid and added to the service invoice.

Table of Contents

Warranty and Service Policy	iii
1. Introduction	1
Features	1
Analog Input	2
Analog Output	2
Digital Input and Output (DI-720 Series Only)	2
2. Specifications	3
Signal Connections	3
Interface Characteristics	3
Analog Inputs	3
Analog Outputs	4
Digital Input/Output (DI-720 Series Only)	4
Excitation Output (DI-740 Series Only)	5
Shunt Cal (DI-740 Series Only)	5
Timing Input/Output	5
Scan Lists	5
Triggering	5
On-board DSP	5
Physical/Environmental	5
Power Supply Voltage and Power Consumption	6
3. Getting Started	7
Unpacking	7
Applying Power to the DI-7xx Series Instrument	7
Connecting the DI-7xx Series Instrument to your Computer	8
Parallel (Printer) Port Operation (All Instruments)	8
Ethernet Operation (DI-720-EN, DI-722-EN, DI-730-EN or DI-740-EN Only)	9
TCP/IP Manager	10
Status	10
Description	11
IP Address	11
MAC Address	11
Start WinDaq	11
Advanced Options:	12
File Name	12
File Size	12
Setup File Name	13
Auto Start	13
Slave Mode	13
Change IP Address with TCP/IP Manager	13
Change Network	14
TCP/IP Reference Information for Non -A Instruments	14
Assigning IP Addresses for Non -A Instruments	15
USB Operation (DI-720-USB, DI-722-USB, DI-730-USB or DI-740-USB Only)	18
DI-720, DI-722, DI-730 and DI-740 Series Instrument Controls and Indicators	21
DI-720 Series Instrument Front Panel	21

DI-722 Series Instrument Front Panel	23
DI-730 Series Instrument Front Panel	25
DI-740 Series Instrument Front Panel	26
DI-740 Series Instrument Side Panels	26
DI-720, DI-722, DI-730 and DI-740 Series Instrument Rear Panel 28	
4. Calibration Verification	31
Required Equipment	31
A/D Calibration (For DI-720, DI-722, DI-730 and DI-740 Series Instruments)	31
D/A Calibration (DI-720 Instruments Only)	31
A/D Calibration Verification (DI-720, DI-722, DI-730 and DI-740 Series Instruments)	31
D/A Calibration (DI-720 Series Only)	32
Offset Calibration Verification (DI-720, -722 and -740 Instruments Only)	33
Full Scale (Span) Calibration Verification (DI-720, -722 and -740 Instruments Only)	33
Offset Calibration Verification (DI-730 Instruments only)	34
Full Scale (Span) Calibration Verification (DI-730 Instruments Only)	34
5. Block Diagram	35
DI-720 Series	35
DI-722 Series	36
DI-730 Series (Analog Input)	37
DI-740 Series	38
6. Accessories	39
The DI-705: Signal Input/Output Option	40
General	40
Input Signal Configuration	40
The DI-205: Signal Input/Output Panel	41
General	41
DI-205 Input/Output Panel Interconnections	41
Input Signal Configuration	41
Connecting a Single-ended Amplifier	42
Connecting a Differential Amplifier	42
DI-75B 5B Module Channel Expander	46
General	46
Connecting the DI-75B to the Host Instrument	46
Applying Power to the DI-75B	46
If you ordered a DI-75B-4	46
If you ordered a DI-75B-7	46
Features, Controls, and Indicators	47
DI-75B Front Panel	47
DI-75B Rear Panel	47
Configuring Channels with the DI-75B	49
DI-700 Host Instruments	49
DI-720 Host Instruments	51
DI-730 Host Instruments	53
Configuring Host Instrument Channel Gain	55
DI-5B30/31 Analog Voltage Input Modules, Narrow Bandwidth	56
DI-5B32 Analog Current Input Modules	57
DI-5B33 Isolated True RMS Input Modules	58
DI-5B34 Linearized 2- or 3-Wire RTD Input Modules	59
DI-5B35 Linearized 4-Wire RTD Input Modules	61
DI-5B36 Potentiometer Input Modules	63

DI-5B38 Strain Gage Input Modules, Narrow & Wide Bandwidth	64
DI-5B40/41 Analog Voltage Input Modules, Wide Bandwidth	66
DI-5B42 2-Wire Transmitter Interface Modules	67
DI-5B43 Isolated DC Transducer Amplifier Input Module	68
DI-5B45 Frequency Input Modules	70
DI-5B47 Linearized Thermocouple Input Modules	71
DI-5001 OEM Printer Port Data Acquisition Board	73
DI-5001 Features	73
General	73
DI-5001 Interconnections	74

1. Introduction

Congratulations on your purchase of a DI-720, DI-722, DI-730 or DI-740 Series data acquisition instrument. These instruments permit data acquisition on IBM personal computers and compatibles from either Windows or the DOS programming environments.

This manual describes how to connect and use all of the instruments in the DI-720, DI-730 and DI-740 Series. Throughout the majority of this manual, enough similarity exists to describe all instruments with the same procedure. The convention used to annotate this similarity is "DI-7xx Series." (This means that the procedure or information applies equally to the DI-720-P, DI-720-EN, DI-720-USB, DI-722-P-xx, DI-722-EN-xx, DI-722-USB-xx, DI-730-P, DI-730-EN, DI-730-USB, DI-740-P, DI-740-EN and DI-740-USB.) In cases where the resemblance is not equal, separate procedures/descriptions exist for each instrument.

This manual is written with the assumption that you have a general understanding of data acquisition, digital I/O and DSP operations, and that you possess enough proficiency in software to write your own application and/or diagnostic programs.

Features

The DI-7xx Series provides the following features:

- All instruments connect to the parallel port of any desktop, transportable, notebook or laptop PC-compatible computer. Most communicate through the PC's parallel port in standard, bi-directional or EPP mode. Ethernet and USB models can only communicate in bi-directional or EPP modes. Models DI-720-EN, DI-722-EN, DI-730-EN, DI-740-EN, DI-720-USB, DI-722-USB, DI-730-USB and DI-740-USB add optional Ethernet and USB communication modes respectively.
- Per channel software-configurable settings:
 - Input gain.
 - Sample rate.
 - Intelligent Oversampling Modes: Signal averaging, maximum value, minimum value and last point
 - DI-720 Series: 32 general-purpose inputs.
 - DI-722-16 Series: 16 general purpose and 16 differential
 - DI-722-32 Series: 32 differential
 - DI-730 Series: 8 fixed isolated differential inputs and 16 general-purpose non-isolated inputs (available through EXPANSION connector).
 - DI-740 Series: 16 transducer inputs and 16 general-purpose inputs.
 - (General purpose inputs: those connected directly to a multiplexer. Each channel can be configured for single-ended or differential operation on a channel-by-channel basis. General-purpose inputs can have gain factors of 1, 2, 4 or 8 applied on a channel-by-channel basis.)
- Flexible power requirements. All instruments operate from any standard 60Hz, 120V AC wall outlet with the supplied power adapter. Or, power the instruments from any +9 to +36 volt DC source, such as a car battery.
- 250KHz burst sampling rate for parallel port module (150KHz for the DI-730)
200KHz burst sampling rate for USB (150KHz for the DI-730)
10KHz burst sampling rate for EN
- Analog-to-Digital converters:
 - DI-720, DI-722 and DI-740 Series: 16-bit A/D converters for high-resolution measurement accuracy (14 bits maximum resolution using WINDAQ software).
 - DI-730 Series: 14-bit A/D converter.
- 240-entry input list allows you to scan any sequence of input channels at any available gain. The 240-entry input list also allows you to average 32,768 consecutive readings per channel for low-noise output signals.
- 240 counters are assigned to the input list allowing each channel to be programmed for a different sample rate.

- Supports analog pre- and post-triggering of data acquisition based on the level and slope of a specified channel.

The following provides a brief overview of the major subsystems of the DI-7xx Series.

Analog Input

32 single-ended/16 differential analog inputs (on DI-720 Series instruments), 16 single-ended/24 differential analog inputs (on DI-722-16 Series instruments), 32 differential analog inputs (on DI-722-32 Series instruments) or 8 fixed differential analog inputs plus 16 general purpose non isolated inputs (on DI-730 Series instruments) allow your analog signals to be converted into 14-to-16-bit digital data via the on board A/D converter.

The DI-720 Series features software-programmable input measurement ranges of $\pm 10\text{V}$ full scale at a gain of 1; $\pm 5\text{V}$ full scale at a gain of 2; $\pm 2.5\text{V}$ full scale at a gain of 4; and $\pm 1.25\text{V}$ full scale at a gain of 8. The DI-722 Series features software programmable input measurement ranges of $\pm 20\text{V}$ full scale at a gain of 1, $\pm 10\text{V}$ full scale at a gain of 2, $\pm 5\text{V}$ full scale at a gain of 4 and $\pm 2.5\text{V}$ full scale at a gain of 8. The DI-730 Series features software programmable input measurement ranges of $\pm 10\text{mV}$, $\pm 100\text{mV}$, $\pm 1\text{V}$, $\pm 10\text{V}$, $\pm 100\text{V}$ and $\pm 1000\text{V}$ full scale.

The DI-740 Series is a specialized unit designed specifically for transducer-based measurements. It features 16 channels where each channel provides its own isolated power supply for transducer excitation, thus eliminating the need for separate power supplies when making measurements using transducers with built-in amplifiers. Each DI-740 input channel features software programmable input measurement ranges of ± 1.25 to $\pm 10\text{V}$ full scale.

Analog Output

On DI-720 instruments, the D/A subsystem features two buffered, 12-bit D/A converters for outputting analog data. DI-730 and DI-740 instruments have only one 12-bit D/A converter for outputting analog data.

DI-7xx Series instruments feature a software-programmable output range of $\pm 10\text{V}$.

DI-7xx Series instruments feature an on board 16-entry output counter list that allows you to write analog or digital output at the maximum conversion rate of the instrument.

Analog output is not available in DI-7xx Ethernet and USB modules while Analog Input is being used.

Digital Input and Output (DI-720 Series Only)

The DI-720-P contains 8 digital input and 8 digital output lines for input/output operations. These lines provide an interface for the transfer of data between user memory and a peripheral device connected to the instrument. Digital inputs can monitor alarms or sensors with TTL outputs, while digital outputs can drive TTL inputs on control or measurement equipment. The DI-720-EN and DI-720-USB have 8 digital input and 4 digital output lines available.

2. Specifications

Signal Connections

Signal connections are made directly to the two 37-pin, D-type connectors on the front panel of DI-720 Series and the DI-722 Series instruments, to the banana jacks on the front panel of DI-730 Series instruments or to removable terminal strips on DI-740 Series instruments. On DI-720 Series instruments, signal connections can also be made with the DI-205, which is an optional, general purpose signal interface that provides convenient banana jacks for analog input signals. Refer to Chapter 5 Accessories in this manual for complete DI-205 details. Note that the DI-205 is an extra-cost option that is not included with the purchase of a DI-720 Series instrument.

Interface Characteristics

Compatible computer architecture: Any PC architecture. Connects to computer via the parallel (or printer) port. Supports standard, bi-directional, or EPP communication modes (Ethernet and USB models only support bi-directional and EPP communication modes). Optional communication interfaces include Ethernet and Universal Serial Bus (USB).

Analog Inputs

Number of input channels:

DI-720 Series	32 single-ended, 16 differential (software selectable per channel)
DI-722-16 Series	24 differential/ 16 single-ended (software selectable on channels 17-32)
DI-722-32 Series	32 differential
DI-730 Series	8 isolated fixed differential plus 16 non-isolated general purpose inputs (16 single ended or 8 differential)
DI-740 Series	16 single-ended transducer inputs, 16 general purpose inputs (16se/8di)

Converter resolution:

16-bit

Common mode rejection ratio:

DI-720 Series	80 dB minimum @ $A_v=1$
DI-722 Series	80 dB minimum @ $A_v=1$
DI-730 Series	120 dB minimum @ DC to 60Hz
DI-740 Series general purpose channels	80 dB minimum @ $A_v=1$

Accuracy:

$\pm 0.25\%$ of full-scale range $\pm 100\mu\text{v}$

Crosstalk:

-75 dB @ 100kHz into 100 ohms unbalanced

Sample throughput rate (max samples/second; software selectable per channel):

Printer port	Standard port: 40,000
	Bi-directional port: 80,000
	EPP: 200,000 (150,000 for the DI-730)
USB	200,000 samples/second max (150,000 for the DI-730)
Ethernet	50,000 samples/second max

Maximum analog measurement range (software selectable per channel):

DI-720 Series and DI-722, DI-730, and DI-740 general purpose channels	±10V full scale at a gain of 1 ±5V full scale at a gain of 2 ±2.5V full scale at a gain of 4 ±1.25V full scale at a gain of 8
DI-722 Series Amplified	±20 V full scale at a gain of 1 ±10 V full scale at a gain of 2 ±5 V full scale at a gain of 4 ±2.5 V full scale at a gain of 8
DI-730 Series	±10mV full scale ±100mV full scale ±1V full scale ±10V full scale ±100V full scale ±1000V full scale

Maximum Input without Damage (either input to ground):

DI-720 and DI-740 Series	±30VDC or Peak AC
DI-722 Series	120V RMS
DI-730 Series	±1500VDC or Peak AC

Gain error: 1 bit max @ 1kHz sample rate

Input offset voltage: 1 bit max @ 1kHz sample rate

Input settling time: 4µs to 0.01% at all gains

Input impedance:

DI-720 and DI-740 Series	1 MΩ resistor tied to GND on the input channel
DI-722 Series	1 MΩ
DI-730 Series	10 MΩ

Analog Outputs

Number of channels:

DI-720 Series	Two buffered analog outputs
DI-722 Series	None
DI-730 and DI-740 Series	One analog output

Resolution: 12-bit; 1 part in 4,096 @ 250kHz

Output voltage range: ±10V full scale

Output impedance: 0.1 Ohm - output current should not exceed 1mA (10KOhm or lighter)

Maximum Sample rate (samples/second):
 (software selectable per channel) standard port: 40,000
 bi-directional port: 80,000
 EPP: 250,000 (150,000 for DI-730)

Output offset voltage: 1 bit max @ 1kHz sample rate

Digital Input/Output (DI-720 Series Only)

Capacity: 8 input and 8 output

Compatibility: TTL compatible

Max source current: 0.4mA @ 2.4V

Max sink current:	8mA @ 0.5V
Digital input termination:	4.7k Ω pull-up to +5VDC

Excitation Output (DI-740 Series Only)

$\pm 15V$ @ 60 mA DC, isolated per channel

Shunt Cal (DI-740 Series Only)

Software activated through optical isolator to GND

Timing Input/Output

Number of counters:	240 input, 16 output
Resolution:	1 part in 32,768
Base clock accuracy:	0.01%
Counter input frequency:	16 MHz

Scan Lists

Input Scan List:	Capacity—240 elements
Output Scan List:	Capacity—16 elements

Triggering

Pre-trigger length:	64K samples
Post-trigger length:	64K samples
Trigger channel:	Any channel
Trigger level hysteresis:	8-bit (256 counts)

On-board DSP

Type:	Analog Devices ADSP2181, 32 MIPS
Clock frequency:	16 MHz external, 64 MHz internal
Data memory:	8k words
Program memory:	8k words

Physical/Environmental

Box dimensions:	
DI-720, DI-722 and DI-730 Series	7.29"W by 9"L by 1.52"H
DI-740 Series	7.29"W by 9"L by 2.52"H
I/O connector:	37-pin male D-type (DI-720 Series)
	Banana jacks (DI-730 Series)
	16 removable screw terminals (DI-740 Series)

Weight

DI-720, DI-722 and DI-730 Series	3 lbs.
DI-740 Series	3.3 lbs.

Operating environment:

Component temperature	0° to 70° C
Relative humidity	0% to 90% non-condensing

Storage environment:

Temperature	55° to 150° C
Relative humidity	0% to 90% non-condensing

Power Supply Voltage and Power Consumption

Voltage:

DI-7xx	9-36 VDC
--------	----------

Power:

DI-720	4.5 Watts
DI-722	10 Watts
DI-730	10 Watts
DI-740	35 Watts

3. Getting Started

Unpacking

The following items are included with each DI-7xx Series instrument. Verify that you have the following:

- DI-7xx Series instrument (i.e., DI-720-P, DI-720-EN, DI-720-USB, DI-722-P-xx, DI-722-EN-xx, DI-722-USB-xx, DI-730-P, DI-730-EN, DI-730-USB, DI-740-P, DI-740-EN or DI-740-USB)
- Communications cable designed to connect the DI-7xx Series instrument to your computer's parallel (or printer) port. If you ordered a DI-720-USB, DI-722-USB, DI-730-USB or DI-740-USB, you will have a second cable designed to connect the instrument to your computer's USB port.
- Programmer's Software Development Kit CD-ROM "The WINDAQ Resource."
- If you ordered a DI-740 Series instrument, you will have 16 removable terminal strips.
- DI-720/DI-722/DI-730/DI-740 Series User's Manual (which you are currently reading)
- WINDAQ Software, in one of two forms:

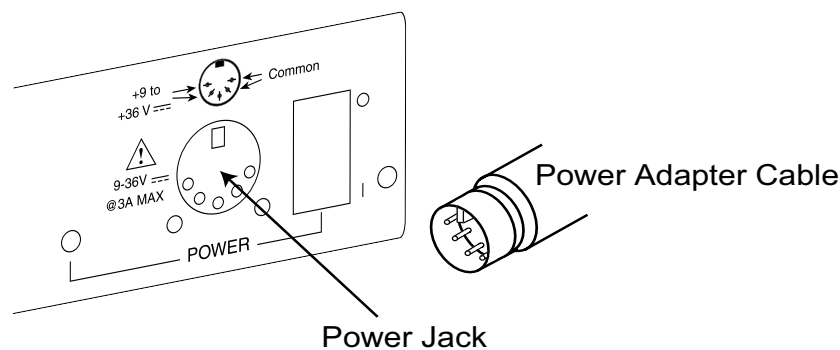
If you ordered WINDAQ/Pro or WINDAQ/Pro+ recording software with your DI-7xx Series instrument (an extra-cost option), there will be a sticker with a password on the sleeve of your CD-ROM. This password will give you access to that software. If you did not order WINDAQ/Pro or WINDAQ/Pro+ recording software, the WINDAQ/Lite recording software will be available to you without a password.

If an item is missing or damaged, call the DATAQ Instruments at (330) 668-1444. They will guide you through the appropriate steps for replacing missing or damaged items. Save the original packing material in the unlikely event that your unit must, for any reason, be sent back to DATAQ Instruments.

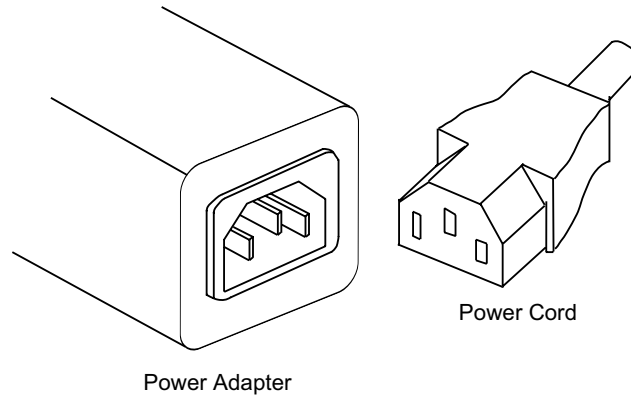
Applying Power to the DI-7xx Series Instrument

Use the following procedure to apply power to your DI-7xx Series instrument:

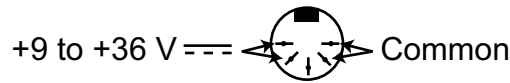
1. Plug the five-pin DIN end of the power adapter cable into the five-pin jack labeled POWER on the rear panel of the instrument.



2. Plug one end of the supplied power cord into the power adapter and the other end into any standard 120VAC, 60Hz, single-phase outlet.



If an alternate power source is to be used, refer to the following pin-out diagram for power requirements:



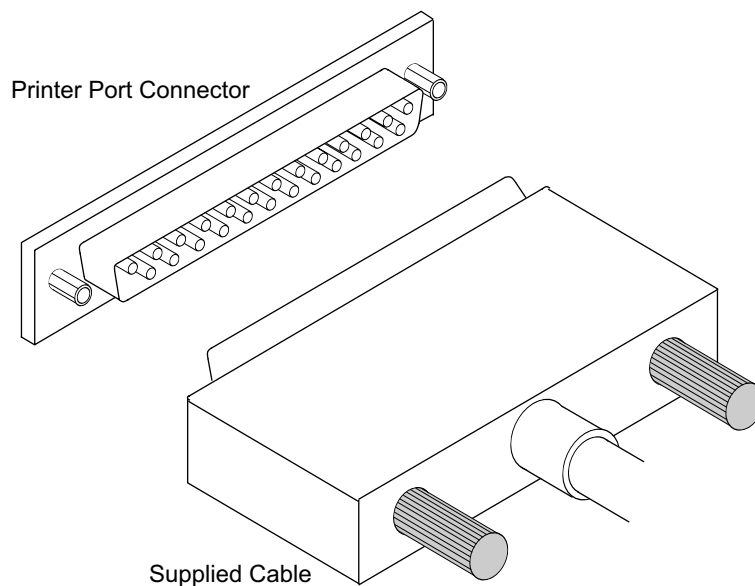
3. Turn the POWER switch on.

Connecting the DI-7xx Series Instrument to your Computer

All DI-7xx Series instruments use your computer's parallel (or printer) port to interface digital and analog signals to your computer. Optionally, DI-7xx Series instruments with Ethernet or USB communication ports can also be used to interface digital and analog signals to your computer, although not concurrently with the printer port.

Parallel (Printer) Port Operation (All Instruments)

Plug the appropriate end of the supplied parallel communications cable to the 25-pin male connector labeled **PRINTER PORT** on the rear panel of the DI-7xx Series instrument and connect the other end of this cable to your computer's parallel (printer) port.



It is important to note that your computer's parallel port may be operated in more than one mode. In the case of DI-7xx Series instruments, other parallel port communication modes allow data to pass from the instrument to your computer at higher speeds. Depending on the age of your computer and/or the sophistication of your parallel port, you may have as many as four parallel port communication mode options: standard, bi-directional (PS/2), enhanced parallel port (EPP) and extended capabilities port mode (ECP). DI-7xx Series instruments support the following three parallel port operating modes:

<u>Parallel Port Mode</u>	<u>Maximum Data Throughput*</u>
Standard	40,000 samples/second
Bi-directional (PS/2)	80,000 samples/second
EPP (DI-720, DI-722, DI-740)	200,000 samples/second
EPP (DI-730)	150,000 samples/second

*Maximum stream-to-disk rate using WINDAQ software on a 350 MHz Pentium II machine running Windows 98. Triggered storage rates will be faster. Contact DATAQ Instruments to determine expected maximum sample rates for other machine speeds and operating systems.

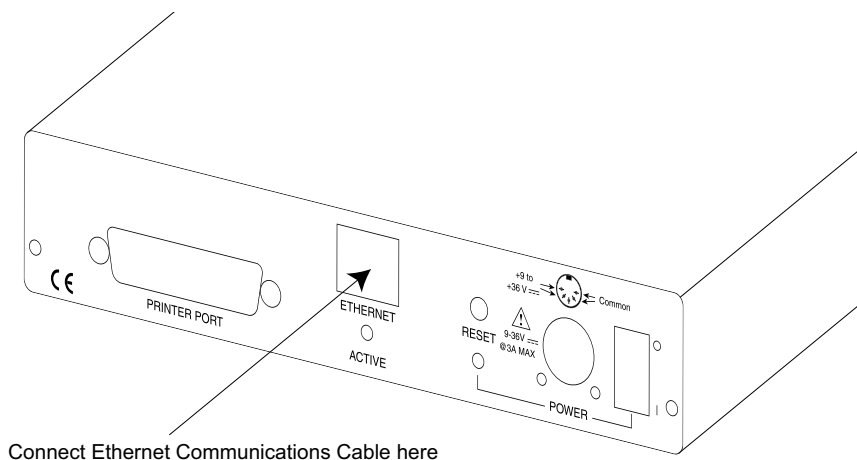
The parallel port mode you use will depend on how many channels you wish to record and how fast you wish to record them.

If, for example, you are only planning to record five channels at 20 Hz each, then standard mode operation will be more than adequate (5 channels \times 20 Hz = 100 Hz throughput, which is well within the DI-7xx Series 40KHz standard mode throughput). If, however, you plan to record at a much higher sample rate, for example five channels at 10KHz each, the standard parallel port mode will not reliably record your data gap-free, since this throughput rate exceeds the DI-7xx's standard mode maximum throughput (5 channels \times 10KHz = 50KHz, which is greater than the 40KHz standard mode maximum throughput spec). To reliably record data gap-free at this sample rate, your computer's parallel port must be operated in something other than standard mode.

The only way to change your computer's parallel port operating mode (if necessary) is to access your computer's CMOS setup routine. This usually can be accomplished by pressing a certain key (or keys) on your keyboard at the beginning of your computer's boot-up process. In some cases, a message telling you which key to press is briefly displayed on your monitor at the beginning of the boot-up process. If you do not see such a message, consult your computer documentation for complete CMOS setup routine details.

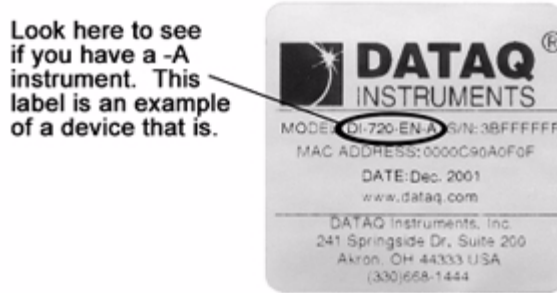
Ethernet Operation (DI-720-EN, DI-722-EN, DI-730-EN or DI-740-EN Only)

If you have the DI-720-EN, DI-722-EN, DI-730-EN or DI-740-EN and you want to use the optional Ethernet communications interface, plug the appropriate end of your Ethernet communications cable into the 10base-T Ethernet port (labeled ETHERNET) on the rear panel of the instrument. Note that you must disconnect the parallel communications cable from the 25-pin male connector labeled PRINTER PORT on the rear panel of the instrument (if connected) in order to use the Ethernet communications interface. Parallel and Ethernet communications cannot be used concurrently.



TCP/IP Manager

The TCP/IP Manager was created to manage all DATAQ Instruments Ethernet models that are connected to a network and installed on your PC. From one computer, you can read and assign IP addresses, access WINDAQ, and change settings for most Ethernet Instruments connected to your network. Unfortunately, the Manager can only change IP addresses for -A Ethernet Instruments. As a general rule, these are instruments that were purchased after December 2001. If you are not sure if you have a -A instrument, consult the label on the bottom of your instrument, as shown in the following figure. If the model number ends in a -A (like DI-720-EN-A), then you will be able to use all of the features of the Manager. If not, then you have a previous version and the Manager's access to that instrument will be limited.



All of the Ethernet devices will automatically appear in the list box when you run the TCP/IP Manager, except for non -A instruments that have never been installed on your PC. However, only -A instruments will be able to have their IP addresses altered. Previous instruments will need to have an IP address manually assigned to them. (See “Assigning IP Addresses for Non -A Instruments.”) In addition, their model numbers and status will not register. The model numbers of non -A instruments will register as “n/a” and the status will register as “On Line,” meaning that the instrument is connected to the network and you have software installed for it, but its exact status is unknown. If you have never installed software for a non -A instrument, you will not see it at all in your Manager, even if it is connected to the network. If they are available, non -A instruments will be able to access WINDAQ through the TCP/IP Manager.



Status

After you have installed software, to open the TCP/IP Manager and, consequently, your Ethernet instrument, click on your Start menu, select Programs, then click on “WINDAQ” (or whatever directory you specified when you installed software) and double click on “IP Manager.” All Ethernet devices that have been installed on your computer and/or

are on the network will appear in the list box, with their model numbers and current status (except for non -A instruments, as mentioned above). The Status field has the following possibilities:

- Available:** The instrument is ready to access WINDAQ.
- In Use:** The instrument is already accessing WINDAQ.
- Not Installed:** The instrument needs to have WINDAQ software installed on the host PC.
- Off Line:** The instrument is not currently connected to the network, but it has been installed at one time. It may simply have the power turned off or be installed incorrectly.
- On Line:** The instrument is a non -A device, but it is connected to the network and it has software installed on your PC. The Manager is not certain if the instrument is available or not. You will not know the true status of this instrument until you try to access WINDAQ with it.

If you click on an “Available” instrument, all of the TCP/IP Manager features will be available to you. If you click on an “On Line” instrument, all the features will be available to you except the ability to change the IP address of the instrument. If you click on an instrument that is unavailable for any reason, your options will be limited.

Description

As a device is added to the network, the Description field will list it as a “New Device.” It will remain this way until you give it a specific description that should mean something to your application (like “Press 1” or “Test Stand 2,” etc.). This can be done by clicking on the device, filling in the “Device Description” text box and then hitting the “Enter” button. Anyone else on the network who is also running the TCP/IP Manager will see the new description you just entered, except for non -A instruments whose descriptions can only be seen locally.

IP Address

When you click on a device, its IP Address automatically appears under the list box. An Internet Protocol (IP) address is a unique 32-bit number, comparable to a house's street address, that is used to send data from one device to another. When a computer or other instrument is connected to the Internet or network, an IP address must be assigned to it. Unless you have a Dynamic Host Configuration Protocol (DHCP) server, which assigns and manages IP addresses, the TCP/IP Manager will automatically assign an IP address to your instrument. (Except for non -A instruments, whose IP addresses will need to be assigned manually. See “Assigning IP Addresses for Non -A Instruments.”) If you need to change the IP address, the Manager allows you to do this in the “IP Address” box that is under “Advanced Options.”

MAC Address

When you click on a device, the MAC Address also automatically appears under the list box. In the TCP/IP Manager, the Media Access Control (MAC) address is your instrument's unique hardware number. Because this is a unique number, if you disconnect your instrument and then connect it again, the Manager will remember the description that you gave to that particular instrument. This number is unable to be changed.

Start WINDAQ

When you select an Available device (either one that is listed as “Available” or one that is listed as “On Line” that might be available) from the list box, and press the “Start WINDAQ” button, WINDAQ will have access to the device. If you select a device from the list box that is “In Use,” “Not Connected,” or “Not Installed,” the “Start WINDAQ” button will not work.

If you would like to start WINDAQ with more than one device, you can shift+click (which can select many devices that are listed in a row) or control+click (which can select individual devices that are not beside each other). If any of the devices you have selected have a status other than “Available,” or “On Line,” “Start WINDAQ” will be grayed out until you deselect the unavailable devices. If any of the devices you have selected are “On Line,” you will be able to press the “Start WINDAQ” button. However, the TCP/IP Manager will not be able to tell until after you press the “Start WINDAQ” button whether that device is available or not. If the device is unavailable for some reason, no WINDAQ window will open for that device.

Advanced Options:

By checking the “Advanced Options” checkbox, the dialog box will expand to include more options, as shown below.

**File Name**

File Name is the name of the data file (including optional drive, path, and extension specifiers) to which WINDAQ is to store data (the target file). Example: “C:/WINDAQ/...”

Click on the “Browse” button to find the path where you would like to save your file. Once you have found the folder where you would like to save your file, enter the file name and press the “Save” button. This path will then appear in the “File Name” textbox.

If you type a file name without specifying a path, the file will be saved in your WINDAQ directory.

File Size

File Size is an optional number that specifies the maximum file size of the target data acquisition file. If not specified, the file size defaults to 360Kb. The minimum size that may be specified is 1,156 bytes, which is equivalent to the size of the WINDAQ file header. The maximum size that may be specified is 3600000Kb.

A file size using “K” nomenclature may be supplied. The “K” designator is interpreted as being equal to 1024. For example, if “100K” is specified, the file created is 102400 (1024x100) bytes. It is not necessary to use “K” nomenclature when specifying data file size. The actual size of the waveform data file ultimately created on disk following data

acquisition depends on the following: If WINDAQ is terminated before the end of the data file is reached, the size of the resulting data acquisition file will be less than that specified by File Size. WINDAQ data only consumes enough of the target file to contain its acquired waveform information, releasing the excess. If WINDAQ is terminated without storing any data to disk, a file will exist that contains only the WINDAQ file header. This file may be deleted or used as a set up file to provide default conditions for another data acquisition file. If WINDAQ is allowed to acquire data to disk until the target data acquisition file is full, the file size of the target file may or may not be exactly equal to that specified in the command line. The precise size depends upon the number of channels enabled during acquisition and whether this number is an even multiple of the specified file size. When specifying a file size, remember that one sample stored to disk requires two bytes.

Setup File Name

Setup File Name is an optional previous data acquisition file (including optional drive, path, and extension specifiers) created by WINDAQ that, when specified, forces WINDAQ into exactly the same configuration as “setupfile.” Virtually all data acquisition parameters are ported from the setup file to become the default conditions of the new data acquisition file specified by d:/path/filename.ext. Such parameters include but are not limited to: the number of channels and type enable, scaling constants, engineering units, display format, compression, display mode, and gain. The purpose of the setup file is to allow instantaneous setup for similar but separate data acquisition runs.

To browse your directories to find the previous data acquisition file, click on the “Browse” button, locate the file, and then click the “Open” button. The specified file, including its path, will appear in the “Setup File Name” textbox.

Auto Start

By checking this checkbox, you are forcing WINDAQ to immediately start acquiring data to disk upon start up. If you are using Auto Start, you can open the TCP/IP Manager and change the advanced options. The next time the device is started up, these settings will take effect.

This option will be grayed out until you specify a File Name.

Slave Mode

If you check the Slave Mode checkbox, WINDAQ will automatically start up in slave mode when you press the “Start WINDAQ” button.

This option will be grayed out until you specify a File Name.

Change IP Address with TCP/IP Manager

(Note that the TCP/IP Manager feature to change IP addresses only works with -A instruments. If you do not have a -A instrument, consult the section on Assigning IP Addresses for non -A instruments.)

Unless you have a Dynamic Host Configuration Protocol (DHCP) server, the TCP/IP Manager will automatically assign an IP address to your instrument. If you need to change the IP address, the Manager allows you to do this. If you would like the TCP/IP Manager to choose an available IP address for you, click on the radio button in front of “Let IP Manager Choose an Available IP Address” and then press the “Change” button. If you have a specific IP address you want to give an instrument, click on the radio button in front of “Manually Specify an IP Address,” enter the address you would like and then press the “Change” button. If you are not able to change the IP address to the one you have specified, you will receive an error message. Some reasons why you might not be able to specify that IP address are:

- a. You have a DHCP server and it does not allow you to manually specify an IP address,
- b. That specific IP address is already being used by another device on your network, or
- c. That device is not available to have its IP address changed at this time.

Note: The IP Manager adds load to the Ethernet traffic and DI-720-EN-A. Thus:

- 1) It is not advisable to keep multiple IP managers running all the time on multiple PCs on the network.**
- 2) Once WINDAQ is running, you may turn off IP Manager.**

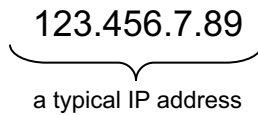
Change Network

This button allows you to switch between multiple networks. Two networks cannot be enabled at the same time using TCP/IP manager. You must open multiple TCP/IP managers to access two networks on the same PC. A Network description and the network card’s IP address are displayed. Choose the network and click OK to enable that network.

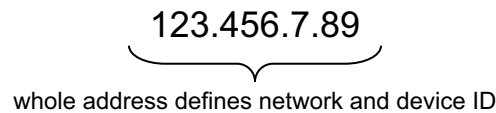
TCP/IP Reference Information for Non -A Instruments

TCP/IP uses several basic pieces of information to successfully communicate between devices on networks. Two of these pieces of information are IP address and subnet mask.

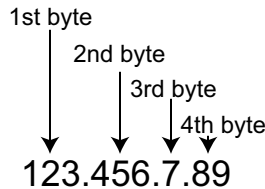
Every device (computer, DI-730-EN instrument, etc.) on a TCP/IP network has an IP address. This unique identification is typically represented using “dotted decimal notation.” In this format, each byte (8-bit segment) of the 32-bit IP address is represented by a decimal number (ranging from 0 to 255) and is separated by a period.



The four bytes of an IP address combine to convey two pieces of information: the network identification (it defines a group of computers and other devices on a given network) and the device identification (it defines a computer or other device within that network).



The first byte of an IP address identifies the network class. There are three different classes for accommodating networks of different sizes. With the network class defined by the first byte, all four bytes (the whole address) are used to define network ID and device ID. The table below shows how the network ID and device ID information is defined for each network class.



Network class	Range of values for 1st byte	Part of IP address that defines network ID	Part of IP address that defines device ID	Possible # of networks	Possible # of devices/network
A	1-126	1st byte	2nd, 3rd, and 4th bytes	126	16,777,214
B	128-191	1st and 2nd byte	3rd and 4th byte	16,384	65,534
C	192-223	1st, 2nd, and 3rd bytes	4th byte	2,097,151	254

Notes: Address 127 in the 1st byte is reserved for testing and other purposes. Addresses 0 or 255 in any byte position and address 224 and above in the network ID part are reserved for special protocols.

Any in-house or private TCP/IP network that is not connected to the public Internet can use any network and device ID’s. For networks that connect to the public Internet, Internet Service Providers get official network IDs through the InterNIC (Internet Network Information Center).

A device uses the network ID and device ID to sort information traffic on the network or, in other words, determine what information it should receive or ignore. **All devices connected to the same network must have the same network ID and subnet mask.**

The purpose of the **subnet mask** is to define or separate the network ID and device ID portions of an IP address. Subnet masks are generally represented using the same “dotted decimal notation” described earlier, however the bit values themselves define the mask. Each bit assigned a “1” value in the subnet mask defines the corresponding bit of the IP address as a network ID bit. Bits assigned a “0” value identify the device ID part of the IP address. The following table shows default subnet masks:

Network class	Dotted decimal notation	Binary equivalent
A	255.0.0.0	11111111 00000000 00000000 00000000
B	255.255.0.0	11111111 11111111 00000000 00000000
C	255.255.255.0	11111111 11111111 11111111 00000000

For each network class, the subnet mask must at least use the “1” bits assigned in the default subnet masks listed above. However, any network class can be subdivided further by assigning “1” bits in the default “0” positions of the mask. This means that it is possible to create more subnetworks, but at the expense of fewer devices per subnetwork. In many cases, this type of subnet configuration is more appropriate than just using the default values.

Let's consider an example. Say we want to add a DI-730-EN to an existing Ethernet network. A look at the TCP/IP properties dialog box on the PC we're installing the DI-730-EN to reveals:

IP address: 192.168.1.44
Subnet mask: 255.255.255.0

From this, we know that the PC is connected to a class C network, the network ID is 192.168.1 and the device ID (the PC itself) is 44. We also know that **any other device added to this network must share the same network ID (192.168.1) and subnet mask (255.255.255.0), but must possess a unique device ID** (an unused value from 1 to 254). So to add the DI-730-EN to this network, we must change the DI-730-EN's IP address from its default, factory-assigned value. Information on how to do that is presented in the following section, titled “Changing an Instrument's IP Address.”

Regardless of the number of interconnected subnetworks, the important thing to remember is **all devices** (PC's, DI-730-EN's, etc.) **on the same subnetwork must use the same subnet mask and network ID to avoid conflicts. Never attempt to assign a device an address already used by another device on the same network. Each device on a network must have a unique IP address, valid for its particular network.**

If you are configuring a private network (one that will not be connected to the public Internet or directly to an existing in-house network), you can select IP addresses from the [Internet Assigned Numbers Authority \(IANA\) List of Reserved IP Addresses for Private Networks](#). These reserved address ranges are:

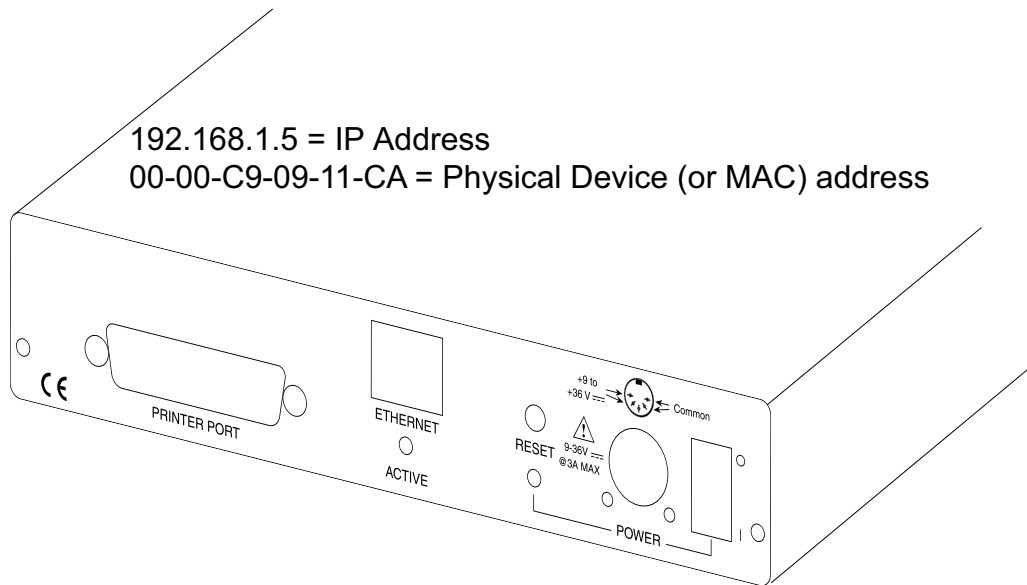
10.0.0.0 to 10.255.255.255
172.16.0.0 to 172.31.255.255
192.168.0.0 to 192.168.255.255

These addresses are ignored by Internet routers and therefore do not have to be globally unique. If you require further information, a document that describes these addresses (“RFC 1597: Address Allocation for Private Internets”) is available on the Internet.

Assigning IP Addresses for Non -A Instruments

Each DI-720-EN, DI-722-EN, DI-730-EN and DI-740-EN instrument is assigned an IP address before it is shipped. (Every *instrument* has an IP address, which is in addition to your *computer's* IP address that was just checked/assigned in the previous procedure.) This IP address, along with the instrument's physical device address (or MAC address), is printed on the bottom of the instrument. By default, all DI-720-EN, DI-722-EN, DI-730-EN and DI-740-

EN instruments are initially assigned the same IP address (192.168.1.5). However, the physical device address is unique for each instrument:



192.168.1.5 is assigned by default because it is reserved for use on private networks or, in other words, it will not be in use on the public Internet. As discussed in the previous section (titled “TCP/IP Reference Information”):

- every device on a TCP/IP network must be uniquely identified by an IP address. Never attempt to assign a device an address already used by another device on the same network
- this IP address consists of the network ID and the device ID
- all devices connected to the same network must have the same network ID (and subnet mask, if the device has a modem or “dial-out” capability) but must have a unique device ID

If (by slim probability) your network ID is 192.168.1, and device ID 5 is not being used by any other device on your network, then your DI-720-EN, DI-722-EN, DI-730-EN or DI-740-EN will work “as is” and its IP address will never need to be changed. Most likely, there will be a conflict with your network ID, or device ID, or you may be connecting more than one DI-720-EN, DI-722-EN, DI-730-EN or DI-740-EN instrument to your network. In these instances, you must change the DI-720-EN, DI-722-EN, DI-730-EN or DI-740-EN instrument’s IP address so that each device has a unique identity on the network. Use the following procedure to change the DI-720-EN, DI-722-EN, DI-730-EN or DI-740-EN IP address:

1. With the assistance of your network administrator, or with the information presented in the previous section (titled “TCP/IP Reference Information”), obtain a new IP address suitable for your network.
2. Turn the instrument’s POWER switch to the 0 (off) position, then press and hold the RESET button. Remove the Ethernet cable from DI-7xx. While holding the RESET button in, turn the POWER switch back to the 1 (on) position and continue holding the RESET button in for at least 30 seconds. This erases the current IP address stored in the instrument’s flash memory.
3. Open an MS-DOS window (click the Start button on the taskbar, point to Programs, and then click MS-DOS Prompt).
4. Verify that this new IP address is available by running the ping utility. The ping utility comes with Windows 95, but it is a DOS-based application, so it doesn’t use the Windows 95 graphical user interface. Because of this, ping must be launched in a DOS window (the reason for step 3). The ping utility usually resides in the same

directory as Windows 95 files (usually `\windows`). At the DOS prompt, enter the following line and press the ENTER key:

```
ping [new IP address]
```

For example:

```
[windows] c:\windows>ping 138.239.252.18
```

You should not receive a response (a response consists of messages showing the number of bytes received as well as time information). This indicates the new address you have selected is not being used. If a response is received, select another IP address with the assistance of your network administrator and repeat this step.

5. Now, reconnect the Ethernet cable to DI-7xx-EN. Assign the new IP address by running the `arp` program. `arp` is a DOS utility included with Windows 95 that allows you to convert IP addresses to physical device addresses (also known as MAC addresses). Like `ping`, `arp` usually resides in the same directory as Windows 95 files. At the DOS prompt, enter the following line and press the ENTER key:

```
arp -s [new IP address] [physical device address]
```

For example:

```
[windows] c:\windows>arp -s 138.239.252.18 00-00-c9-00-c1-a9
```

Remember, your instrument's physical device address (or MAC address) is printed on the bottom surface of your instrument.

6. Validate the new IP address assignment with `ping`. At the DOS prompt, enter the following line and press the ENTER key:

```
ping [new IP address]
```

For example:

```
[windows] c:\windows>ping 138.239.252.18
```

This time you should receive a response (messages showing the number of bytes received and time information). A response indicates the instrument can communicate using the new IP address. If you do not receive a response, check your connections, the previous steps and your command syntax. Then repeat this step after waiting approximately 30 seconds. Be patient; sometimes time is a factor. Repeat until you receive a response.

7. Launch Telnet to restore bi-directional communications. Telnet is a TCP/IP application that comes with Windows 95 and allows you to log in or access devices on a network. This step is required because the new IP address (assigned in step 5) by default gets assigned in unidirectional mode. At the DOS prompt, enter the following line and press the ENTER key:

```
telnet [new IP address]
```

For example:

```
[windows] c:\windows>telnet 138.239.252.18
```

The Telnet window appears with a flashing block cursor in the upper left corner.

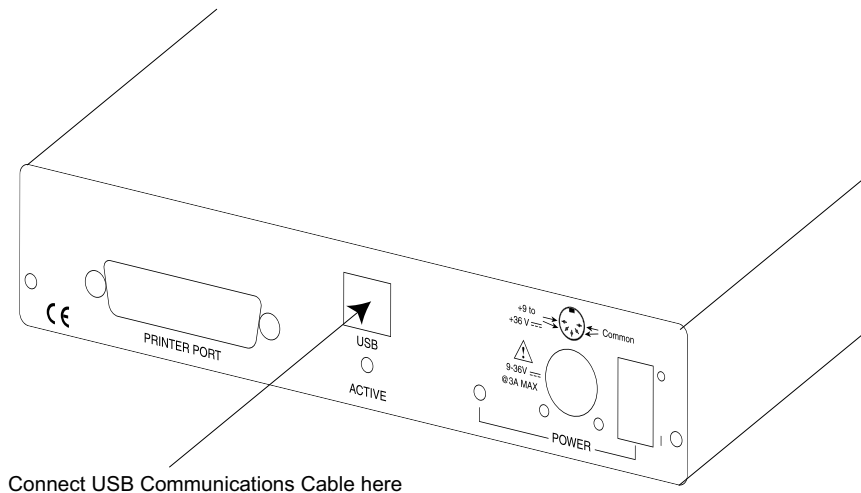
8. Press the ESC key. When the connection is made, a login banner is displayed and Telnet prompts for a user name.
9. At the `Enter Username>` prompt, enter any two characters and press the ENTER key. Telnet prompts for a server.
10. At the `Server>` prompt, enter `su` and press the ENTER key. Telnet prompts for a password.

11. At the `Password>` prompt, enter `system` and press the ENTER key. This is the default-privileged password, which does not echo back on your monitor. Telnet responds with `Server>>`.
12. At the `Server>>` prompt, enter `change port 1 bidi ena` and press the ENTER key. This re-enables bi-directional communications with the instrument.
13. As a check, enter `show port 1` at the `Server>>` prompt and press the ENTER key. Messages should appear indicating bi-directional communications with the instrument are enabled.
14. At the `Server>>` prompt, enter `logout` and press the ENTER key.

USB Operation (DI-720-USB, DI-722-USB, DI-730-USB or DI-740-USB Only)

If you have the DI-720-USB, DI-722-USB, DI-730-USB or DI-740-USB and you want to use the optional USB communications interface, you must use Windows 98 or higher.

1. With your computer powered, Windows running and all other applications closed, plug the appropriate end of the supplied USB communications cable into the USB port (labeled USB) on the rear panel of the instrument. Connect the other end of this cable to your computer's USB port.



The addition of this new hardware will be “sensed” by Windows and the “Add New Hardware Wizard” will automatically be launched, anticipating the installation of a device driver for the new hardware.

2. Insert the WINDAQ Resource CD-ROM into your CD-ROM drive. The root directory of the CD contains all USB drivers.
3. From the initial “Add New Hardware Wizard” screen click Next to get started, then choose the search for best driver option (recommended) and click Next.
4. Specify the CD-ROM drive that contains the WINDAQ Resource CD-ROM as the search location and click Next.
5. Follow the on-screen prompts. Depending on how Windows was originally installed on your computer, you may need additional files from your Windows distribution CD-ROM to complete the driver installation. When you

see the following dialog box, Windows has located the necessary device driver and is ready to install the required files. Click Next to continue.



With the driver installation complete, continue with step 6 to install WINDAQ software. Before continuing, make sure the WINDAQ Resource CD-ROM is in your CD-ROM drive.

6. The Windows Autorun feature should start the installation program when the CD-ROM is inserted into the CD-ROM drive. If it does not - click the Start button on the taskbar and then click Run.... In the text box that appears, type d:setup (where d specifies the drive containing the CD-ROM you inserted in step 2) and press ENTER.
7. A welcome dialog box appears on screen. Select the "Install Software for all other products except Starter Kits" option and click OK.
8. If you purchased WINDAQ/Pro or Pro+ software, select the appropriate option and click OK. If you did not purchase software, choose the WINDAQ/Lite option and click OK.
9. Specify the instrument purchased and click OK. Then specify the connection and click OK.
10. The Software License agreement will be displayed. Read through the agreement carefully and either Accept and Continue or Cancel to exit the installation.
11. Enter the User Information in the appropriate text boxes and click OK.
12. Follow the instructions on screen to specify the directory where you want to install WINDAQ software.
We recommend you accept the default path, but you can name this new directory anything you like. Simply substitute the desired drive and directory in the Destination Directory text box.
13. Choose the OK button.
A dialog box is displayed asking if you would like to make backup copies of all files replaced during the installation. This is offered as a safety courtesy; backup copies are not required.
Choose the No button if you don't want to make backups.
Choose the Yes button to create backups. If you decide to create backups, you will be prompted to specify a backup file directory.
14. Specify a destination (or group window) for WINDAQ software icons.
Again we recommend the default path, but you can specify any group window you like.
15. Enter the ID address of the box.

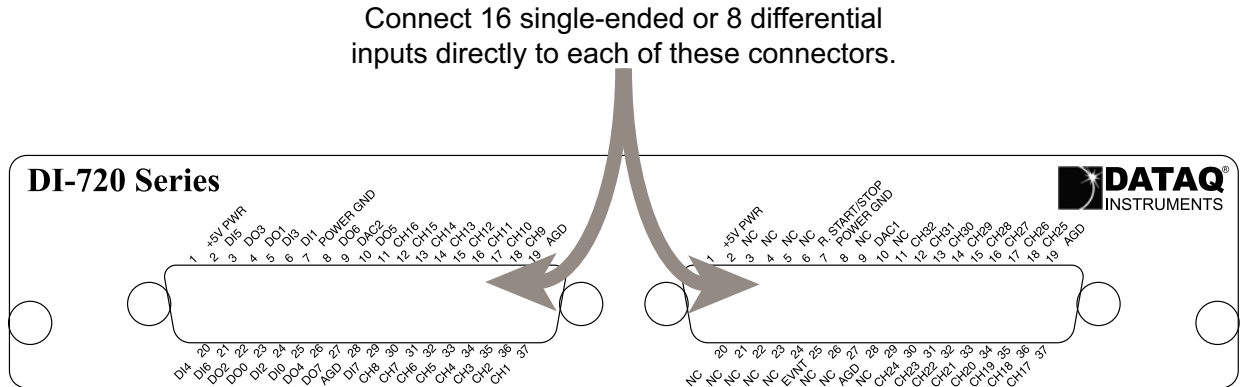
Every DI-720-USB, DI-722-USB, DI-730-USB or DI-740-USB is initially assigned an ID address of 0. If you are adding only one DI-720-USB, DI-722-USB, DI-730-USB or DI-740-USB to your system, do nothing. Default ID address 0 will work fine.

16. If you are installing only one DI-720-USB, DI-722-USB, DI-730-USB or DI-740-USB on your system, then installation is complete. If you are installing multiple devices, change the Device ID and run through the installation for each device (this does not install multiple versions of the software).

DI-720, DI-722, DI-730 and DI-740 Series Instrument Controls and Indicators

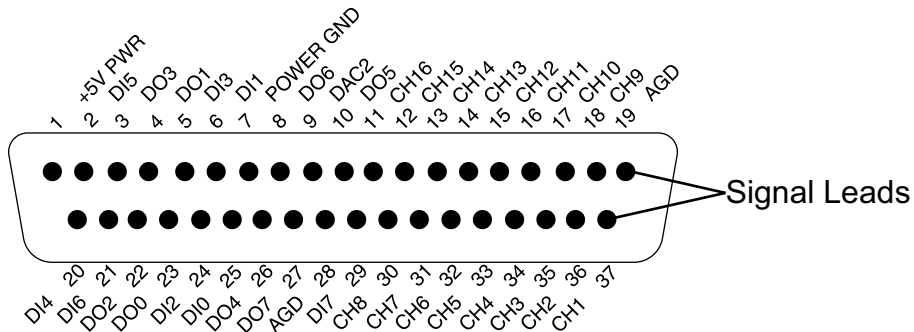
The following describes the user accessible items on the DI-720, DI-722, DI-730 and DI-740 Series instruments.

DI-720 Series Instrument Front Panel



The 37-pin male “D” connector on the left is used to interface analog input channels 1 through 16, eight digital inputs, and eight digital outputs to the DI-720 Series instrument. The analog inputs are labeled CH1 IN through CH16 IN, the digital inputs are labeled DI0 through DI7, and the digital outputs are labeled DO0 through DO7. Other items include DAC2, which is a digital to analog converter that serves as a general-purpose analog output accessible through WINDAQ and SDK software, and two analog grounds labeled AGD. On DI-720 Series instruments with the Ethernet communications option (models DI-720-EN), digital outputs are not available.

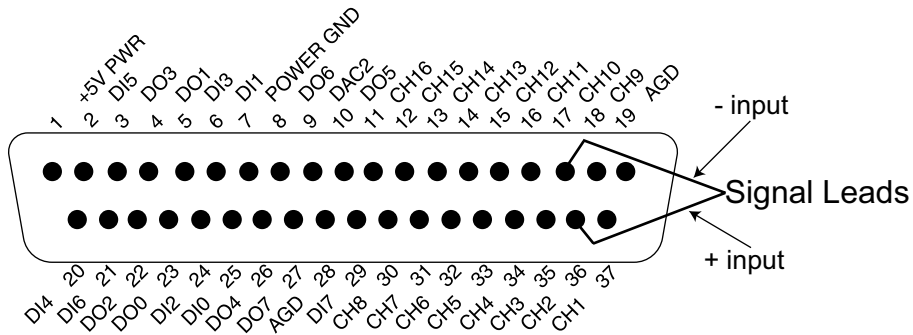
DI-720 Series instruments can accept 32 high-level or preconditioned analog inputs in single-ended configuration or 16 high-level or preconditioned analog inputs in differential configuration. High-level inputs are typically low impedance, no-conditioning-required signals in the range of ± 1.25 to ± 10 volts full scale. Single-ended inputs are configured by connecting one signal lead to the desired channel and the other signal lead to analog ground (AGD).



Channel 1 configured for single-ended operation

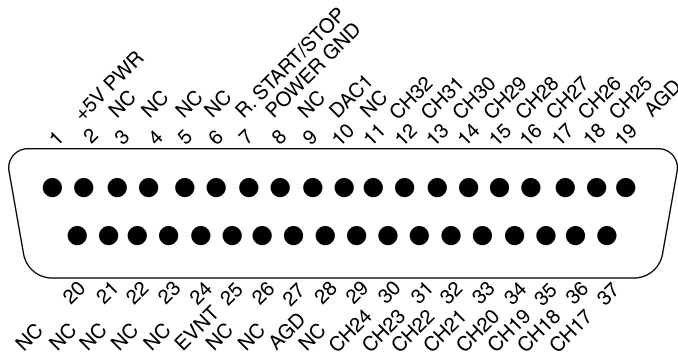
Differential inputs occupy two channels (i.e., these channel pairs constitute a differential input: 1 and 9, 2 and 10, 3 and 11, 4 and 12, 5 and 13, 6 and 14, 7 and 15, 8 and 16, etc.), with the lowest numbered channel in the pair assuming the positive (+) input and the channel number. For example, say we have channels 2 and 10 configured as a differen-

tial input. Channel 2 is the positive (+) input, channel 10 is the negative (-) input, and the pair is referred to as “channel 2 differential.”



Channel 2 configured for differential operation

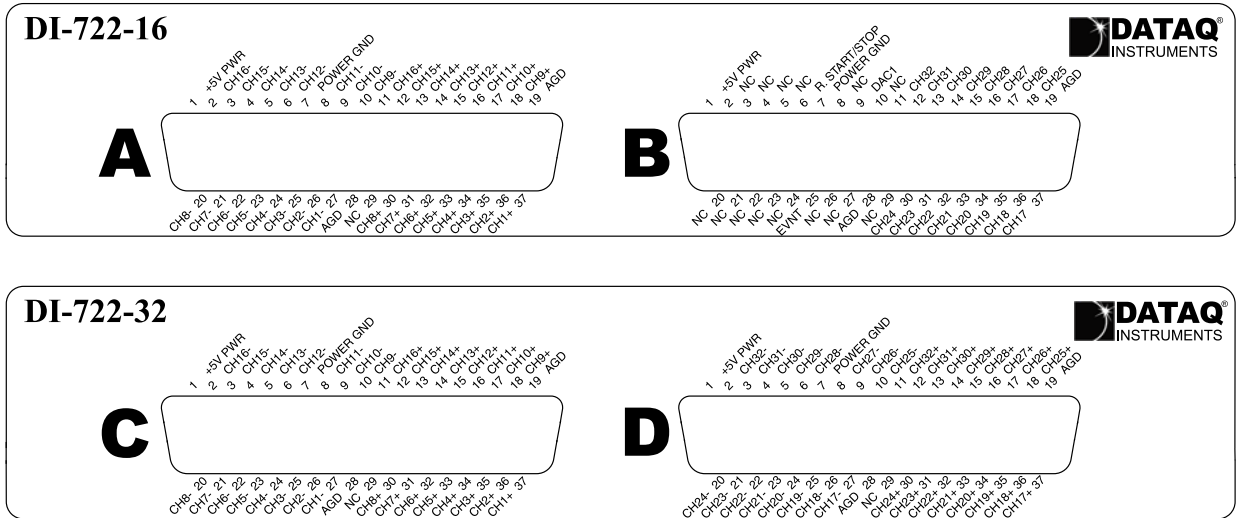
The 37-pin male “D” connector on the right, labeled EXPANSION, serves a dual purpose. In addition to providing access to analog input channels 17 through 32, this connector also allows you to expand (increase) the total analog input channel capacity of the instrument. Up to 240 channels are possible with the DI-720 Series and expansion instruments. Pinout is as follows:



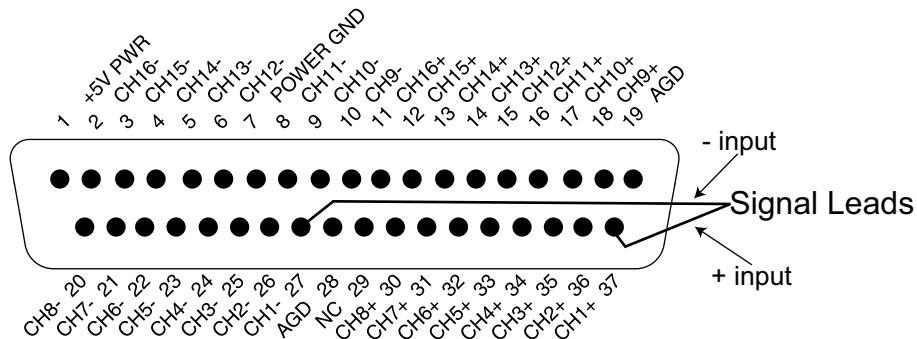
This connector also includes DAC1, which is a second digital-to-analog converter that serves as a general purpose analog output; R. START/STOP, which allows you to remotely start and stop data storage to disk with a switch or TTL level signal; EVNT, which allows you to remotely trigger event markers with a switch or TTL level signal; and two analog grounds labeled AGD.

When being used for expansion, models DI-75B, DI-725 and DI-725E are plugged directly into this connector. The input signals are then connected to the DI-75B, DI-725 or DI-725B expansion instrument.

DI-722 Series Instrument Front Panel



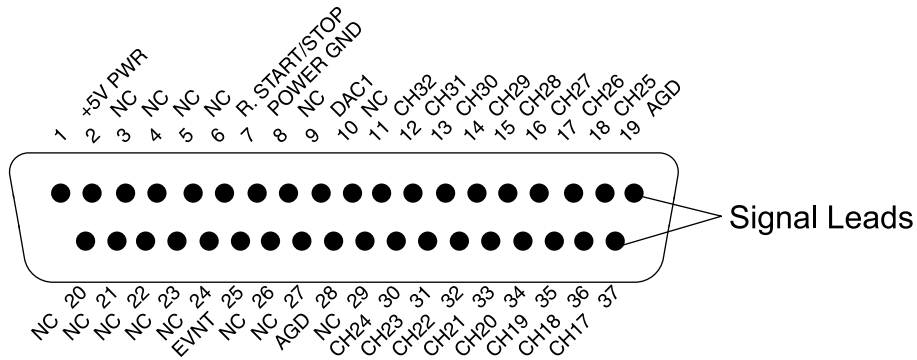
The 37-pin male “D” connectors on the DI-722-32 (labeled C and D) and the one on the left of the DI-722-16 (labeled A) are used to interface analog input channels to the DI-722 Series instrument. The analog inputs are labeled CH1+, CH1- through CH16+, CH16- for the DI-722-16 and CH1+, CH1- through CH32+, CH32- for the DI-722-32 and the two analog grounds are labeled AGD.



Applies to differential connectors A, C, and D - Channel 1

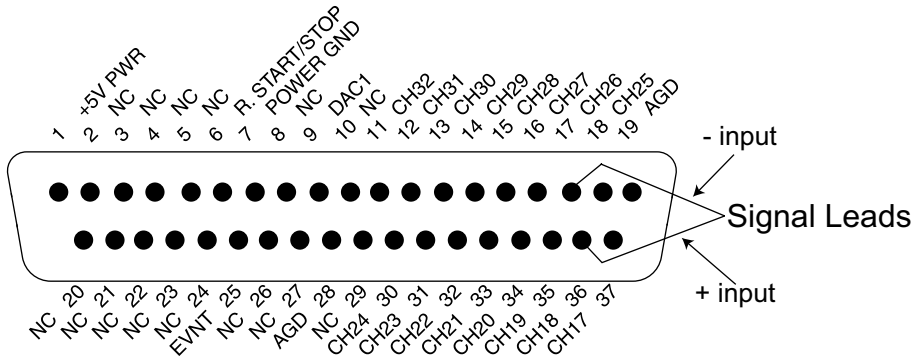
DI-722-16 can accept 16 high-level or preconditioned analog inputs in single-ended configuration or 16 high-level or preconditioned analog inputs in differential configuration (through the 37-pin D connector labeled B above). High-level inputs are typically low impedance, no-conditioning-required signals in the range of ± 1.25 to ± 10 volts full

scale. Single-ended inputs are configured by connecting one signal lead to the desired channel and the other signal lead to analog ground (AGD):

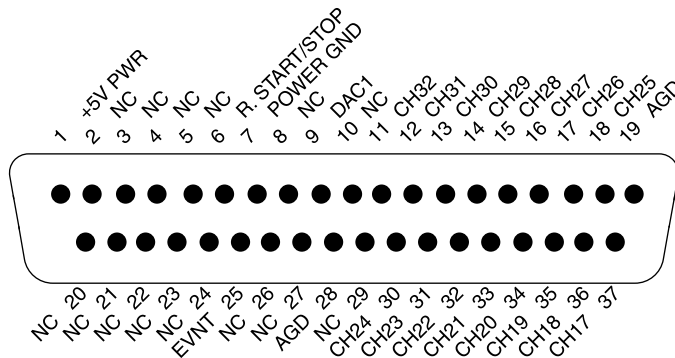


Applies to single-ended Connector B - Channel 17

Differential inputs occupy two channels (i.e., these channel pairs constitute a differential input: 17 and 25, 18 and 26, 19 and 27, 20 and 28, 21 and 29, 22 and 30, 23 and 31, 24 and 32), with the lowest numbered channel in the pair assuming the positive (+) input and the channel number. For example, say we have channels 18 and 26 configured as a differential input. Channel 18 is the positive (+) input, channel 26 is the negative (-) input, and the pair is referred to as “channel 18 differential.”



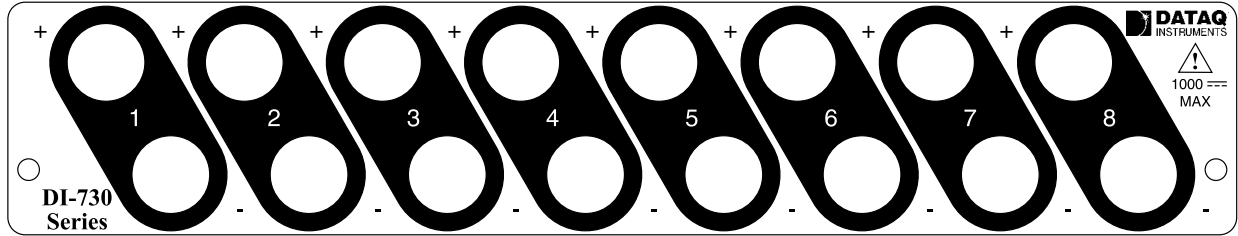
The 37-pin male “D” connector on the DI-722-16 (labeled B in the graphic of the front panel), serves a dual purpose. In addition to providing access to analog input channels 17 through 32, this connector also allows you to expand (increase) the total analog input channel capacity of the instrument. Up to 240 channels are possible with the DI-722 Series and expansion instruments. Pinout is as follows:



This connector also includes DAC1, which is a second digital-to-analog converter that serves as a general purpose analog output; R. START/STOP, which allows you to remotely start and stop data storage to disk with a switch or

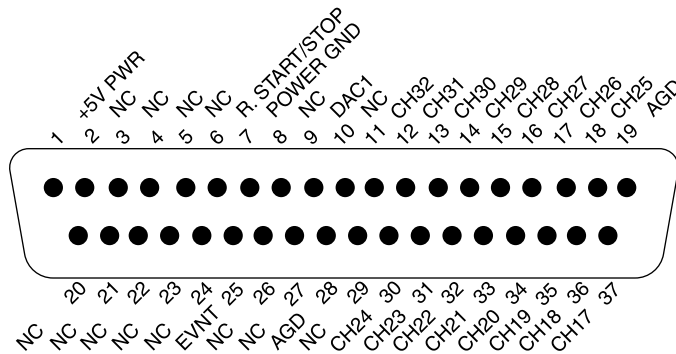
TTL level signal; EVNT, which allows you to remotely trigger event markers with a switch or TTL level signal; and two analog grounds labeled AGD.

DI-730 Series Instrument Front Panel

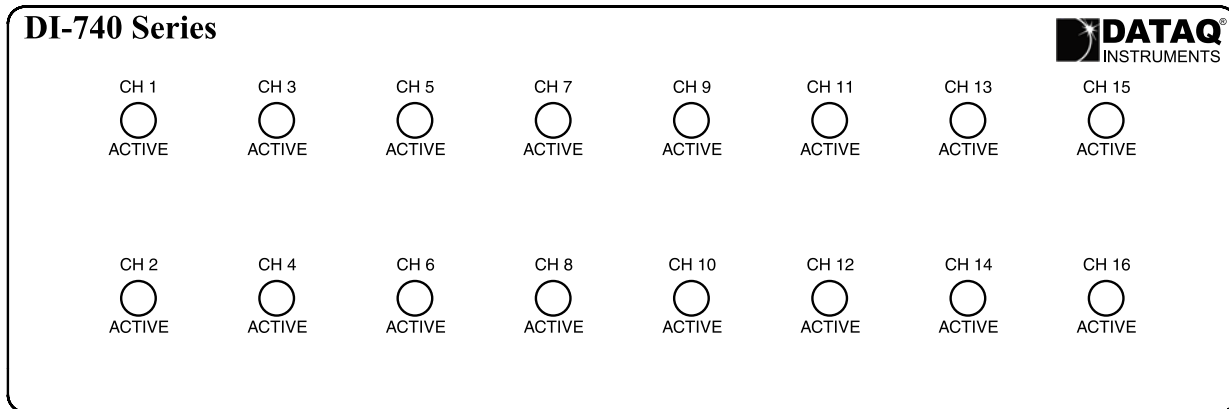


DI-730 Series instruments can accept any eight differential analog inputs within a range of $\pm 10\text{mV}$ to $\pm 1000\text{VDC}$ (or peak AC). Its $\pm 1000\text{V}$ of channel-to-channel and input-to-output isolation protect delicate control circuits, computer equipment, and personnel from high common mode voltages.

Use the following diagram when optional cable 100679 is plugged into the expansion connector on the rear panel of the DI-730 (see also “DI-720, DI-722, DI-730 and DI-740 Series Instrument Rear Panel” on page 28).



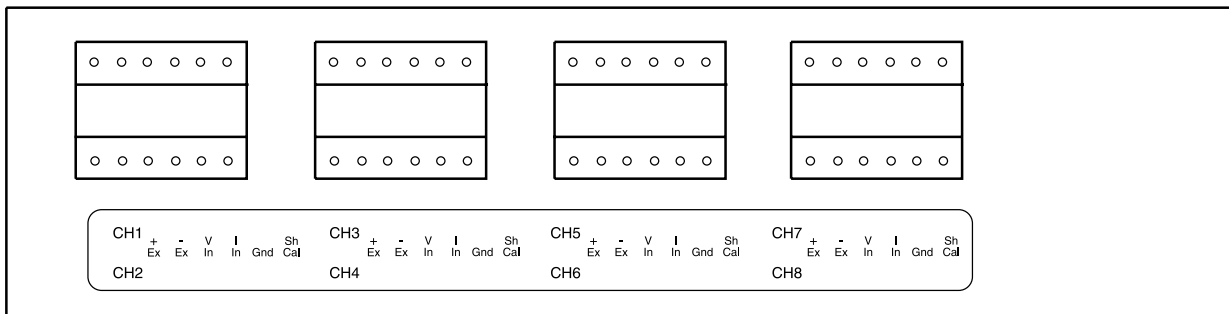
DI-740 Series Instrument Front Panel



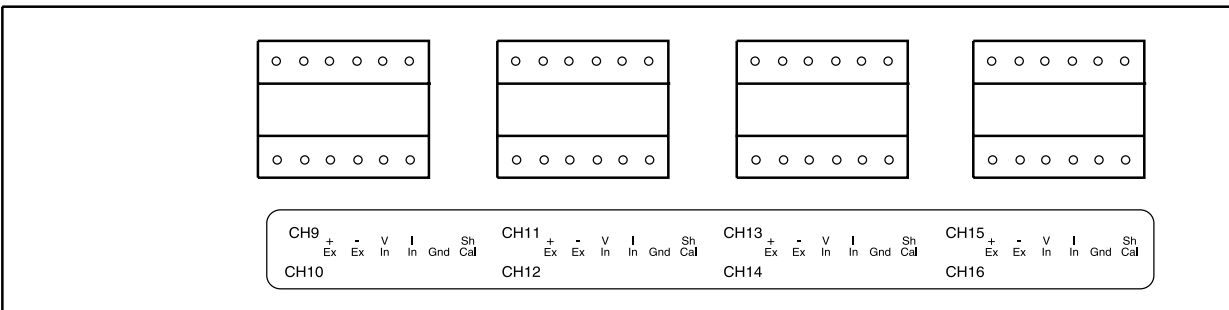
DI-740 Series instruments feature front panel “connected” LED per channel. The corresponding light will glow green when a channel is connected to a transducer.

DI-740 Series Instrument Side Panels

Side one:

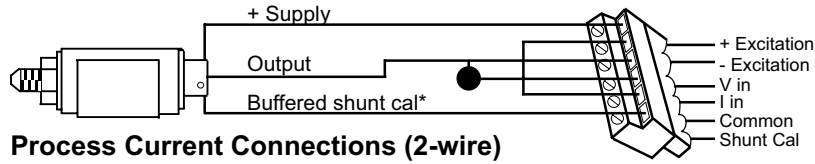


Side two:

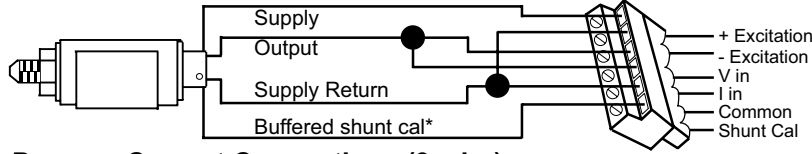


DI-740 series instruments feature 16 removable terminal strips to make transducer connections to the instrument. The section that follows describes how you can make these connections.

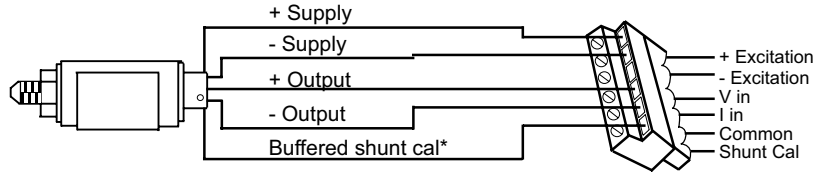
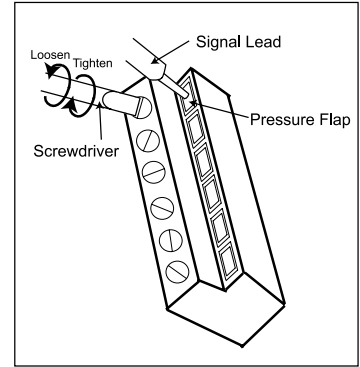
Typical DI-740 Field Connections



Process Current Connections (2-wire)



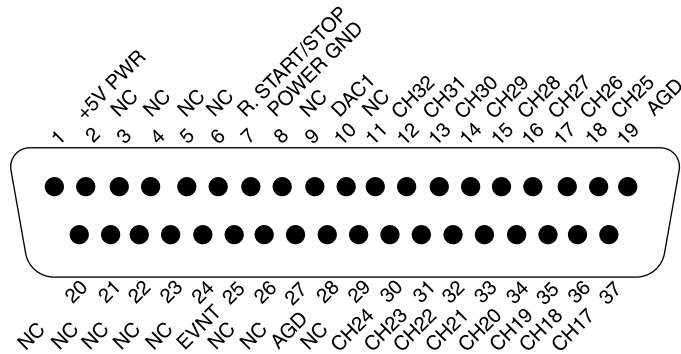
Process Current Connections (3-wire)



Voltage Output Connections

* *Buffered shunt calibration is available on many transducers. Shunt calibration is accomplished by connecting the appropriate output termination to the ground of the electrical supply. This connects a precision shunt calibration resistor to the sensor bridge and provides a calibrated step change in the output. This simulated output from the shunt calibration circuit can be used to set up the sensor with the DI-740 Series without having to apply a known pressure to the transducer.*

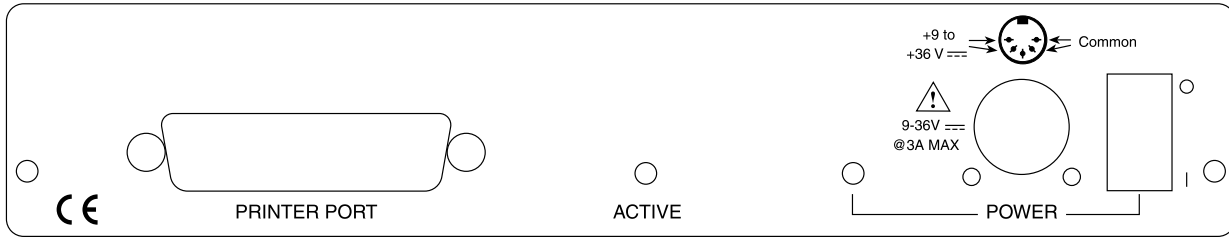
When optional cable 100679 is plugged into the expansion connector on the rear panel of the DI-740, pinout is as follows:



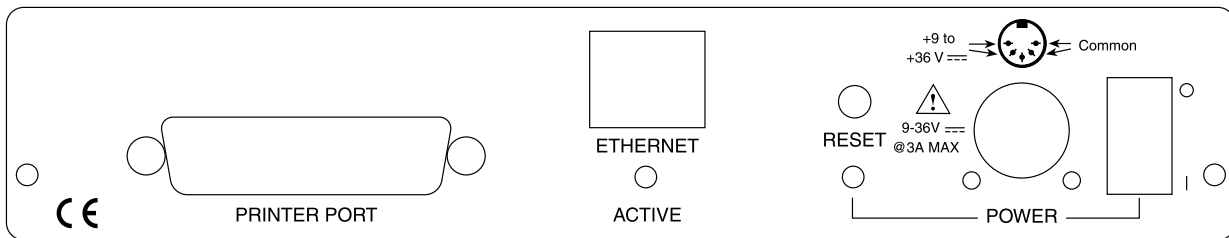
DI-720, DI-722, DI-730 and DI-740 Series Instrument Rear Panel

The rear panel options are the same for DI-720, DI-722, DI-730 and DI-740 Series instruments:

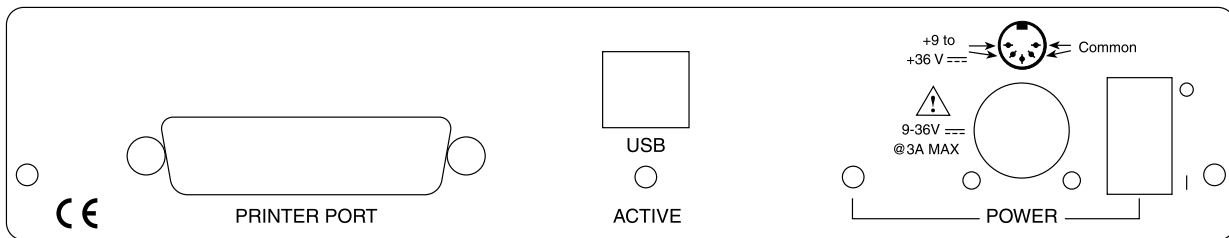
Instrument Rear Panel



Instrument Rear Panel with Ethernet Option



Instrument Rear Panel with USB Option



PRINTER PORT—The printer port provides a way to get your input signals into your computer. All DI-720, DI-722, DI-730 and DI-740 Series instruments support standard, bi-directional and enhanced (EPP) printer port communication modes (except for Ethernet and USB models, which only support bi-directional and EPP modes).

STATUS LAMPS—DI-720, DI-722, DI-730 and DI-740 Series instruments provide two status lamps:

ACTIVE—In DI-7xx-P instruments, this indicator will glow red whenever the instrument is streaming data. This includes all digital input/output (where applicable), analog output and analog input functions.

In DI-7xx-EN instruments, this indicator will glow red whenever data is sent back to the host computer.

In DI-7xx-USB instruments, this indicator will glow when the USB controller is enabled.

POWER—This indicator glows green when power is applied to the DI-720, DI-722, DI-730 or DI-740 Series instrument.

POWER INPUT JACK—Allows you to apply power to the instrument. Power can be applied with the included power adapter or you can use an alternate source, as long as it is suitable (+9 to +36VDC @ 3A maximum).

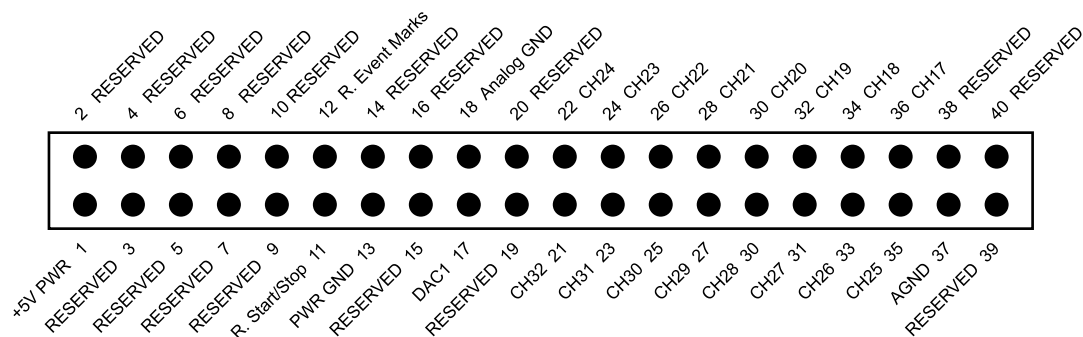
POWER SWITCH—Controls power to the DI-720, DI-722, DI-730 or DI-740 Series instrument. 1 is on, 0 is off.

ETHERNET PORT—In addition to printer port communications, models DI-720-EN, DI-722-EN, DI-730-EN and DI-740-EN add Ethernet communication capability with this 10base T port. Note that the Ethernet communication interface cannot be used concurrently with the printer port.

RESET SWITCH—Models DI-720-EN, DI-722-EN, DI-730-EN and DI-740-EN also add a reset switch for resetting Ethernet communications.

USB PORT—In addition to printer port communications, models DI-720-USB, DI-722-USB, DI-730-USB and DI-740-USB add Universal Serial Bus (USB) communication capability with this port. Note that the USB communication interface cannot be used concurrently with the printer port.

EXPANSION PORT—When being used for expansion, models DI-75B, DI-725 and DI-725E are plugged directly into this connector. The input signals are then connected to the DI-75B, DI-725 or DI-725B expansion instrument. Pin out is as follows (Note: The location of pin 1 could vary - pin 1 is marked with a notched arrow):



4. Calibration Verification

This section provides calibration verification procedures for the A/D and D/A subsystems of the DI-7xx unit. Your instrument is calibrated before it is shipped and, therefore, does not need immediate calibration. Should your unit not comply with the calibration guidelines presented below, arrange to have DATAQ Instruments recalibrate your instrument.

Required Equipment

A/D Calibration (For DI-720, DI-722, DI-730 and DI-740 Series Instruments)

- A precision DVM with resolution as a function of the input range being calibrated:

$$\text{minimum DVM resolution} = \text{Instrument FSR} \times 0.1\%$$

For example, suppose we have a DI-720-P and we want to calibrate the ± 10 volt range (the DI-720 delivers ± 10 volts at a gain of 1):

$$10\text{V} \times 0.1\% = 10\text{mV}$$

So we would need a DVM with a resolution of 10V or more to calibrate the ± 10 volt range.

- A stable voltage source with a stability specification equal to or greater than the minimum DVM resolution, as calculated above, required to calibrate the instrument at the highest desired gain.

OR

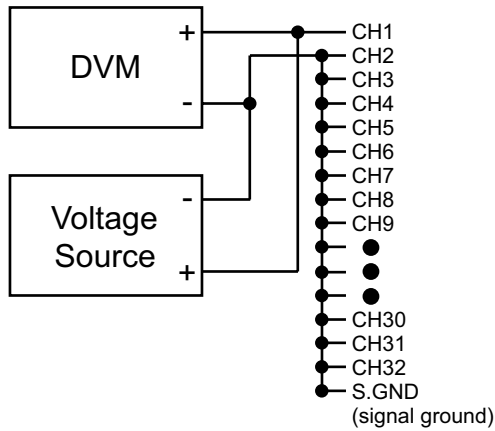
- An alternative is to use a voltage calibrator with enough resolution, as calculated above, to calibrate the instrument at the highest desired gain.

D/A Calibration (DI-720 Instruments Only)

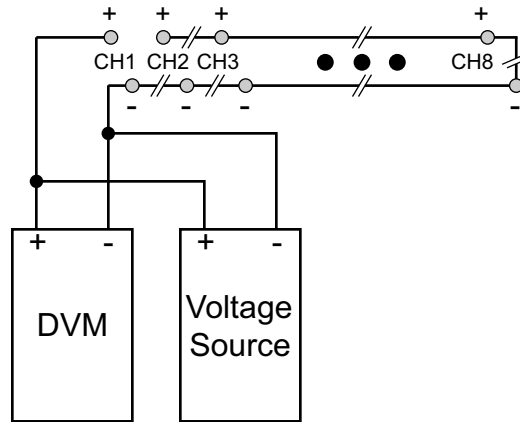
- A precision DVM with resolution of at least 1mV.

A/D Calibration Verification (DI-720, DI-722, DI-730 and DI-740 Series Instruments)

Calibration verification of DI-720 and DI-740 Series instruments' A/D subsystem is performed on channel 1, with all other channels returned to analog common. Calibration of DI-730 Series instrument's A/D subsystem is performed on a channel-by-channel basis for the 8 wide range inputs and on channel 17 for the general-purpose channels. The following figures illustrate the necessary connections:

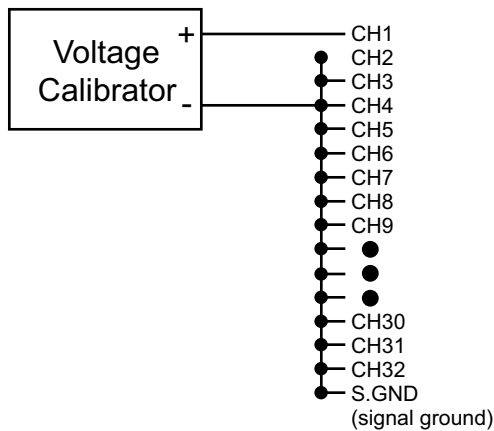


DI-720 and DI-740 Series Instruments And
16 DI-730 General-Purpose Channels

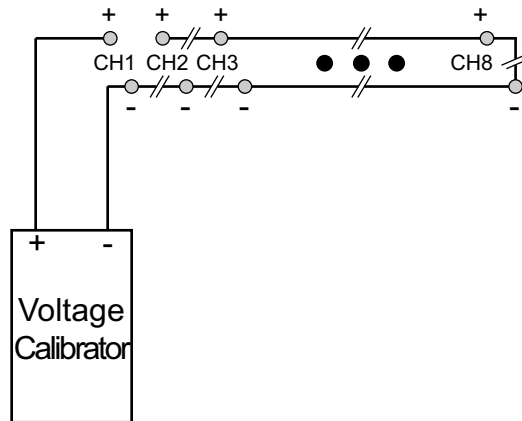


DI-722 and DI-730 Series 8 Wide-Range Channels (accessi-
ble from the front panel)

Or if you are using the alternative voltage calibrator, the following figure illustrates the necessary connections:



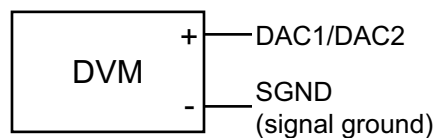
DI-720 and DI-740 Series Instruments
16 DI-730 General-Purpose Channels



DI-722 and DI-730 Series 8 Wide-Range Channels
(accessible from the front panel)

D/A Calibration (DI-720 Series Only)

D/A calibration involves adjusting the analog outputs to the correct full-scale range using the analog data value. The following figure illustrates the necessary connections:



When the above circuit is connected, the calibration program can be initiated by typing "DI720CAL" at the DOS prompt. D/A calibration is accomplished by following the on screen prompts.

Offset Calibration Verification (DI-720, -722 and -740 Instruments Only)

1. Connect your voltage calibrator, or combination DVM and voltage source to your DI-7XX instrument as shown above. Apply zero volts to the instrument (or short the instrument's analog channel input to ground).
2. Open the WINDAQ/Lite/Pro/Pro+ data acquisition screen. Enable the channel you will use to quantify offset. Since all channels are adjusted together, any channel may be selected. Enable a maximum burst sample rate of 50,000 Hz by selecting EDIT-PREFERENCES-MAX SAMPLE RATE. Enable a WINDAQ sample rate of 50 Hz. Set the Acquisition Mode to AVERAGE and the gain factor to 1 through WINDAQ's CHANNEL SETTINGS menu for the selected channel.
3. Referring to WINDAQ software's voltage display for the channel you're evaluating, compare this value to that given in the OFFSET column of TABLE (1) for the selected gain factor.
4. Repeat steps 2 and 3 using a gain of 2, 4 and 8 for the selected channel.
5. If any readings are out of the acceptable ranges described in TABLE (1) arrange to have your instrument recalibrated by DATAQ Instruments.

Full Scale (Span) Calibration Verification (DI-720, -722 and -740 Instruments Only)

1. Referring again to TABLE (1) set the instrument's gain to 1 and apply the voltage indicated by the SPAN VOLTAGE column of TABLE (1) to the selected channel. Note that since all channels are calibrated together, any channel may be selected. ***NOTE: For DI-722 general purpose channels, refer to TABLE 1. For DI-722 differential channels, refer to TABLE 2.*
2. Verify the reading by comparing the value displayed by WINDAQ software with the value of TABLE (1) in the SPAN ACCURACY column.
3. Repeat for gain selections of 2, 4, and 8.
4. If any readings are out of the acceptable ranges described in TABLE (1) arrange to have your instrument recalibrated by DATAQ Instruments.

TABLE 1			
Gain Factor	Offset @ 0V	Span Voltage	Span Accuracy*
1	0V \pm 20mV	9.800V	9.800V \pm 25mV
2	0V \pm 10mV	4.900V	4.900V \pm 12.5mV
4	0V \pm 5mV	2.400V	2.400V \pm 6.25mV
8	0V \pm 5mV	1.200V	1.200 \pm 3.125mV

* Excludes offset errors.

TABLE 2 (Only applicable for DI-722 differential channels)			
Gain Factor	Offset @ 0V	Span Voltage	Span Accuracy*
1	0V \pm 40mV	19.600V	19.600V \pm 50mV
2	0V \pm 20mV	9.800V	9.800V \pm 25mV
4	0V \pm 10mV	4.800V	4.800V \pm 12.5mV
8	0V \pm 10mV	2.400V	2.400 \pm 6.25mV

* Excludes offset errors

Offset Calibration Verification (DI-730 Instruments only)

1. Connect your voltage calibrator, or combination DVM and voltage source to your DI-730 instrument as shown above. Apply zero volts to the instrument (or short the instrument's analog channel input to ground).
2. Open the WINDAQ/Lite/Pro/Pro+ data acquisition screen. Enable the channel you want to verify. Enable a maximum burst sample rate of 50,000 Hz by selecting EDIT-PREFERENCES-MAX SAMPLE RATE. Enable a WINDAQ sample rate of 50 Hz. Set the Acquisition Mode to AVERAGE select the 10mV range through WINDAQ's CHANNEL SETTINGS menu for the selected channel.
3. Referring to WINDAQ software's voltage display for the channel you're evaluating, compare this value to that given in the OFFSET column of TABLE (2) for the selected range.
4. Repeat steps 2 and 3 using for each measurement range.
5. Select the next channel, and repeat steps 2 through 4.
6. If any readings are out of the acceptable ranges described in TABLE (2) arrange to have your instrument recalibrated by DATAQ Instruments.

Full Scale (Span) Calibration Verification (DI-730 Instruments Only)

1. Referring again to TABLE (2) select the 10mV range and apply the voltage indicated by the SPAN VOLTAGE column of TABLE (2) to the selected channel.
2. Verify the reading by comparing the value displayed by WINDAQ software with the value of TABLE (2) in the SPAN ACCURACY column.
3. Repeat steps 1 and 2 for all ranges.
4. Repeat steps 1 through 3 for all channels.
5. If any readings are out of the acceptable ranges described in TABLE (1) arrange to have your instrument recalibrated by DATAQ Instruments.

Channel Group	Range	Offset @ 0V	Span Voltage	Span Accuracy*
1 through 8	10mV	0 ±0.04mV	9mV	9mV ±0.025mV**
	100mV	0 ±0.4mV	90mV	90mV ±0.25mV**
	1V	0 ±4mV	900mV	900mV ±2.5mV
	10V	0 ±10mV	9V	9V ±25mV
	100V	0 ±100mV	90V	90V ±250mV
	1000V	0 ±1V	700V	700V ±2V
17 through 32	10V	0 ±5mV	9V	9V ±25mV
	5V	0 ±3mV	4.5V	4.5V ±12.5mV
	2.5V	0 ±2mV	2V	2V ±6.25mV
	1.25V	0 ±1mV	1V	1V ±3.125mV

*Excludes offset errors.

** These low-level measurements require an environment free from electrical noise.

