

Female Port Pressure Sensor (PFP350)



100 to 10,000 PSI (6.9 to 689.5 Bar) capacity

Rugged Stainless Steel Construction

1/2-20, 7/16-20, or 1/4-18 NPT Threads

For use with DI-5B38-05 or DI-8B38-05 amplifiers



DATAQ Instruments has partnered with sensor manufacturer Futek to offer a variety of load cells at factory-direct prices. These load cells have been specifically chosen for compatibility with our popular line of data loggers and data acquisition systems that support 5B and 8B amplifier modules. We've done the legwork to ensure compatibility, and a complete load cell-to-instrument solution.

The PFP350 Pressure Plug Sensor with cable or LEMO receptacle is a general purpose female port Pressure Sensor solution for a variety of applications.

Features

Rugged Construction

All models are constructed of 17-4PH Stainless Steel.

Thread Options

The PFP350 is available with either a 1/2-20, 7/16-20, or 1/4-18 NPT thread.

Compatibility

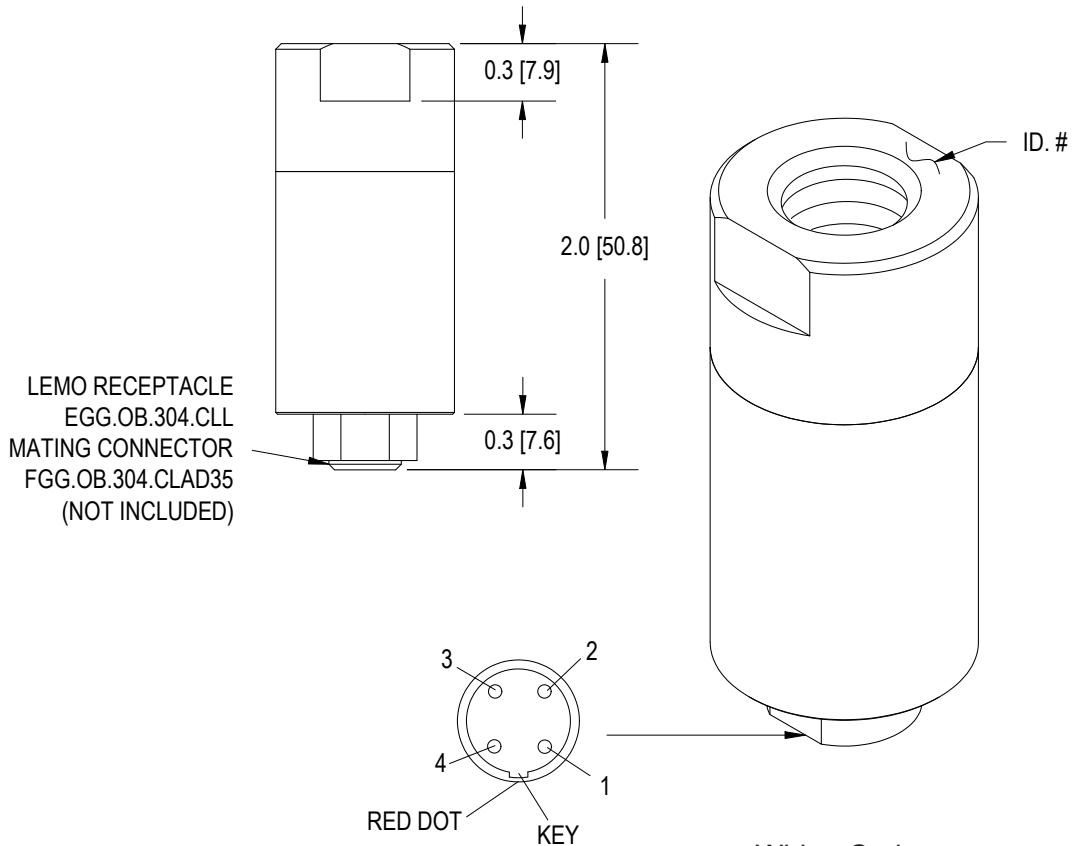
The PFP350 is compatible with strain gage input modules DI-5B38-05 and DI-8B38-05. Install the signal conditioning module into one of our data acquisition/data logger systems for a complete measurement solution. Use the DI-8B38-02 or the DI-5B38-02 for limited dynamic range applications.

A Complete Measurement Solution

Install the Signal Conditioning Module (DI-8B or DI-5B module) into your compatible data acquisition/data logger system. Both excitation and calibrated gain is provided for the sensor.

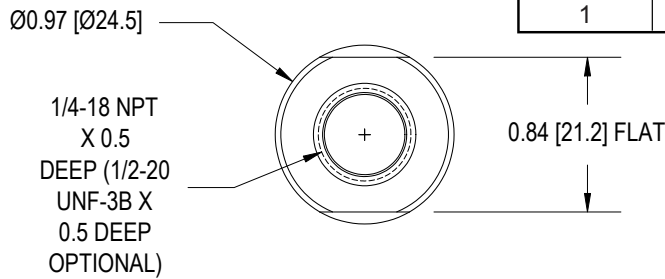
Signal Conditioning Module	Data Logger / Data Acquisition System	Sensor
DI-5B38-05 or DI-5B38-02	DI-75B	PFP350
	DI-715B	
	DI-785	
	DI-195B	
DI-8B38-05 or DI-8B38-02	DI-78B	
	DI-718B	
	DI-718Bx	
	DI-788	

Dimensional Drawings and Wiring Code

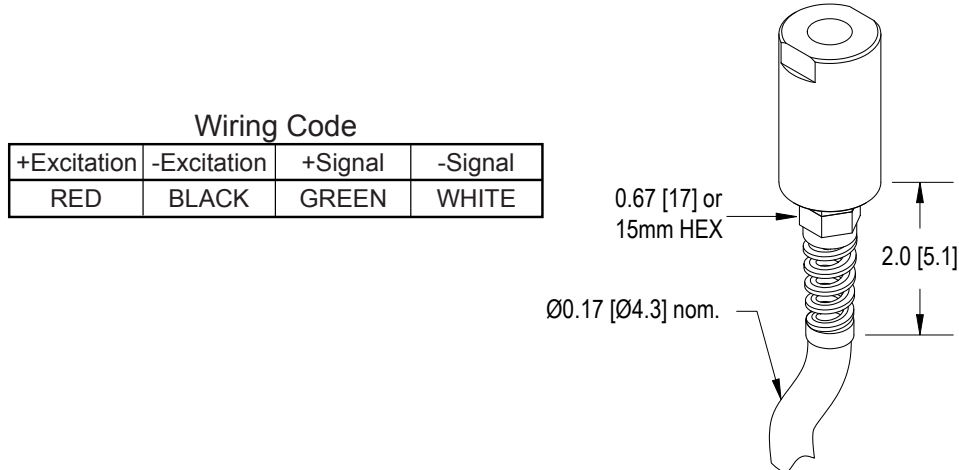


Wiring Code

+Excitation	-Excitation	+Signal	-Signal
1	4	2	3



**#28AWG, 6 Conductor Polyurethane Cable Option
(3ft long)**



Rated Output:	2mV/V nom.	Calibration (included):	2pt (5pt available); 60.4K Ω shunt cal value
Safe Overload:	150% of R.O.	Temperature Shift Zero:	$\pm 0.02\%$ of R.O./ $^{\circ}$ F ($\pm 0.036\%$ of R.O./ $^{\circ}$ C)
Zero Balance:	$\pm 1\%$ of R.O.	Temperature Shift Span:	$\pm 0.02\%$ of Load/ $^{\circ}$ F ($\pm 0.036\%$ of Load/ $^{\circ}$ C)
Excitation (VDC or VAC):	18 Max	Compensated Temperature:	60 $^{\circ}$ F to 160 $^{\circ}$ F (15 $^{\circ}$ C to 72 $^{\circ}$ C)
Bridge Resistance:	350 Ω nom.	Operating Temperature:	-60 $^{\circ}$ F to 250 $^{\circ}$ F (-50 $^{\circ}$ C to 121 $^{\circ}$ C)
Nonlinearity:	$\pm 0.5\%$ of R.O.	Weight:	4.5 oz (128 g)
Hysteresis:	$\pm 0.5\%$ of R.O.	Connector:	4-pin LEMO receptacle or 3 foot cable
Nonrepeatability:	$\pm 0.1\%$ of R.O.	Compatible Signal Conditioning Modules:	DI-5B38-05 or DI-5B38-02 DI-8B38-05 or DI-8B38-02
Calibration test excitation:	10 VDC		

Max Pressure PSI (Bar)	Electrical Connection	Thread	Order Number	Max Pressure PSI (Bar)	Electrical Connection	Thread	Order Number
300 (20.7)	3 foot cable	1/4-18	FSH00820	5000 (344.7)	3 foot cable	1/4-18	FSH00828
	LEMO		FSH00821		LEMO		FSH00829
1000 (68.9)	3 foot cable		FSH00824	10000 (689.5)	3 foot cable		FSH00832
	LEMO		FSH00825		LEMO		FSH00833

Accessories

Description	Order Number	Description	Order Number
15 foot cable with LEMO connector	FSH01790	4-pin LEMO connector	GOD00047
30 foot cable with LEMO connector	FSH01785	NIST Calibration Certificates	Contact DATAQ
100 foot cable with LEMO connector	FSH02114		



DATAQ Instruments, Inc.
 241 Springside Drive
 Akron, Ohio 44333
 Phone: 330-668-1444
 Fax: 330-666-5434

Data Acquisition Product Links

(click on text to jump to page)
[Data Acquisition](#) | [Data Logger](#)